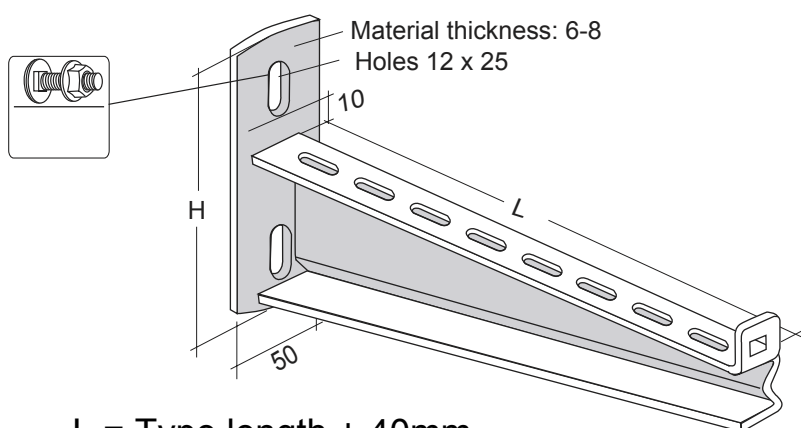


EX-BRC-A

Antenna wall mount bracket

PIXAVI

The EX-BRC-A can be used with VisiWear EX-IRO-A antenna mount rail for mounting of multiple antennas or with single configurations of our EX-ANT-A and our ST-ANT-X range of antennas. The bracket is made from SS316 stainless steel, which makes it suitable for use in demanding and corrosive environments. We recommend two brackets pr rail.



$$L = \text{Type length} + 40\text{mm}$$

Material: SS316

WALL BRACKET for LOE, RZ ladders and SPB trays.
Type no. indicates ladder width. Safety factor 2.

Type L (last 3 digits = length mm)	HDG Art. no.	SS Art. no.	AL Art. no.	Max. load	Weight SS
S-M CA-35-100	1372689	1302442	1372552	350 kg	0,5 kg
S-M CA-35-200	1372690	1302443	1372584	250 kg	0,6 kg
S-M CA-35-300	1372691	1302444	1372585	200 kg	0,8 kg
S-M CA-35-400	1372692	1302445	1372586	175 kg	1,0 kg
S-M CA-35-500	1372693	1302446	1372587	150 kg	1,3 kg
S-M CA-35-600	1372694	1302447	1372588	125 kg	1,5 kg

Suitable for:

Xbeam A
ATEX Omni antenna



Xbeam B
Omni antenna



Xbeam C
120° sector antenna



Xbeam D
Patch antenna



WWW.PIXAVI.COM