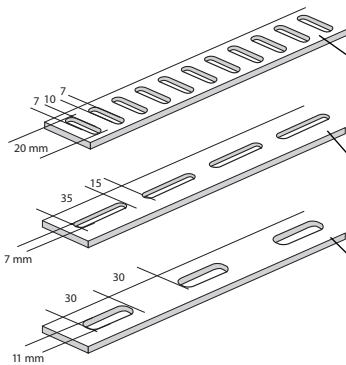


# EX-IRO-A

## Antenna mounting rail



The EX-IRO-A products are offered as flexible antenna and CCTV mount solutions and can be used with VisiWear EX-BRC-A antenna mount rail for mounting of multiple antennas or with single configurations of our EX-ANT-A and our ST-ANT-X range of antennas. The products are made from SS316 stainless steel, which makes it suitable for use in hostile / corrosive environments.



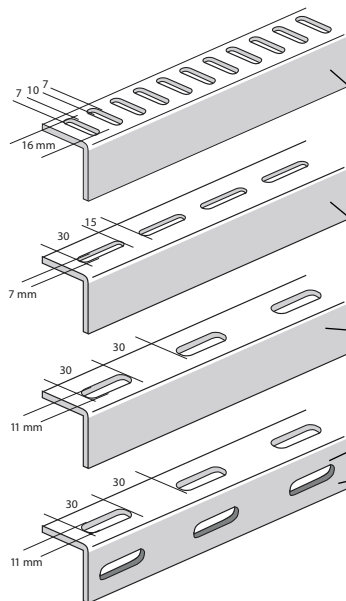
### FLAT IRON

Crosswise perforated

Perf. dim.mm	Dim. mm	RP Art. no.	HDG Art. no.	SS Art. no.	ALU Art. no.	Weight HDG/SS
7x20	30x5	1372104	1372130*			1,0 kg/m
-"-	40x5	1372105	1372131*			1,4 kg/m
-"-	50x4	1372101	1372103*			1,7 kg/m

### Lengthwise perforated

7x35	25x5	1372107	1372111	1371930		1,0 kg/m
-"-	30x5	1372108	1372112	1371931		1,4 kg/m
-"-	40x5	1372109	1372113	1371932	78173*	1,4 kg/m
-"-	50x5	1372110	1372114*	1371933	78229*	1,9 kg/m
11x30	40x5					
-"-	40x5		81484*			
-"-	50x5		81485*	1371935*		
-"-	40x6			1371984*		
-"-	40x8	1372100	1372102			



### ANGLE IRON

Crosswise perforated

Perf. dim.mm	Dim. mm	RP Art. no.	HDG Art. no.	SS Art. no.	ALU Art. no.	Weight HDG
7x16	30x30x3	1372132	1372134*	1371942*	78228*	1,3 kg/m
-"-	40x40x4	1372133	1372140	1371943		2,3 kg/m

### Lengthwise perforated

7x30	30x30x3	1372115	1372117	1371939		1,3 kg/m
-"-	40x40x4	1372116	1372118	1371940		2,3 kg/m
-"-	50x50x3				78045*	
11x30	50x50x5	1372119	1372120	1371941		3,5 kg/m

### Double lengthwise perforated

7x30	40x40x4			1371945*		
11x30	50x50x5		78662*	1371946*		
11x35	49x49x4		82341*	82342*		

Supplied on request in defined lengths up to 1,5m.

### Suitable for:

Xbeam EX  
ATEX Omni antenna

Xbeam B  
Omni antenna

Xbeam C  
120° sector antenna

Xbeam D  
Patch antenna



[WWW.PIXAVI.COM](http://WWW.PIXAVI.COM)

phone: +47 909 43 156

web: [www.pixavi.com](http://www.pixavi.com)

email: [sales@pixavi.com](mailto:sales@pixavi.com)

fax: +47 387 06 021