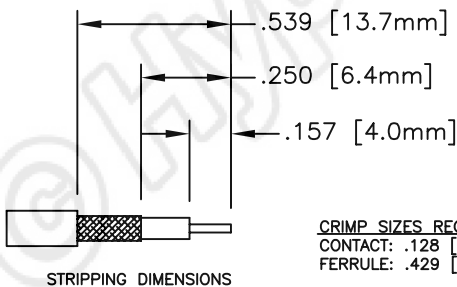
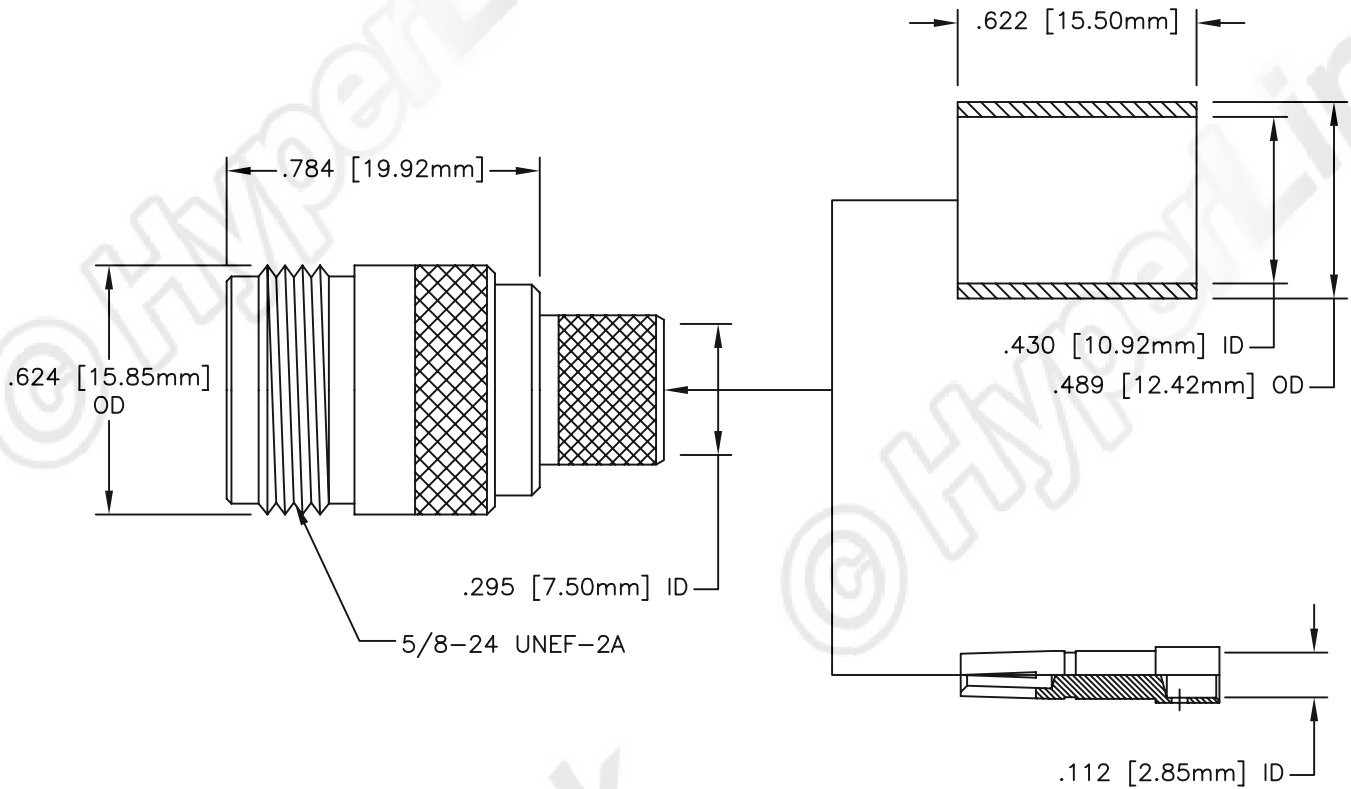


| MATERIALS | |
|-----------|---------------------|
| BODY | NICKEL PLATED BRASS |
| CONTACT | GOLD PLATED BRASS |
| INSULATOR | PTFE |



CRIMP SIZES REQUIRED
 CONTACT: .128 [3.3] HEX CRIMP TOOL
 FERRULE: .429 [10.9] HEX CRIMP TOOL

NOTES:
 1. UNLESS OTHERWISE SPECIFIED ALL DIMENSIONS ARE NOMINAL.
 2. ALL SPECIFICATIONS ARE SUBJECT TO CHANGE WITHOUT NOTICE AT ANY TIME.

| | | | |
|---|---|----------|-------------|
| | | | |
| B | - | 11/29/07 | Updated Dwg |

| | | | |
|------|---|--|--|
| SIZE | TITLE: | | |
| A | N-FEMALE CRIMP CONNECTOR FOR 400-SERIES CABLE | | |

| REV | ECN No. | DATE | DESCRIPTION | DRAWN BY | K.Burgner | 11/29/07 | DRAWING No. | REV |
|-----|---------|------|-------------|------------|-----------|--------------|-------------------|-----|
| | | | | ORIGINATOR | K.Burgner | 11/29/07 | ANF-1406 | B |
| | | | | APPROVAL | K.Burgner | 11/29/07 | PART No. ANF-1406 | |
| | | | | SCALE 3:1 | SHEET 1/1 | MATERIAL --- | FILE No. ANF-1406 | |