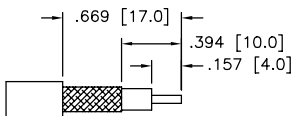
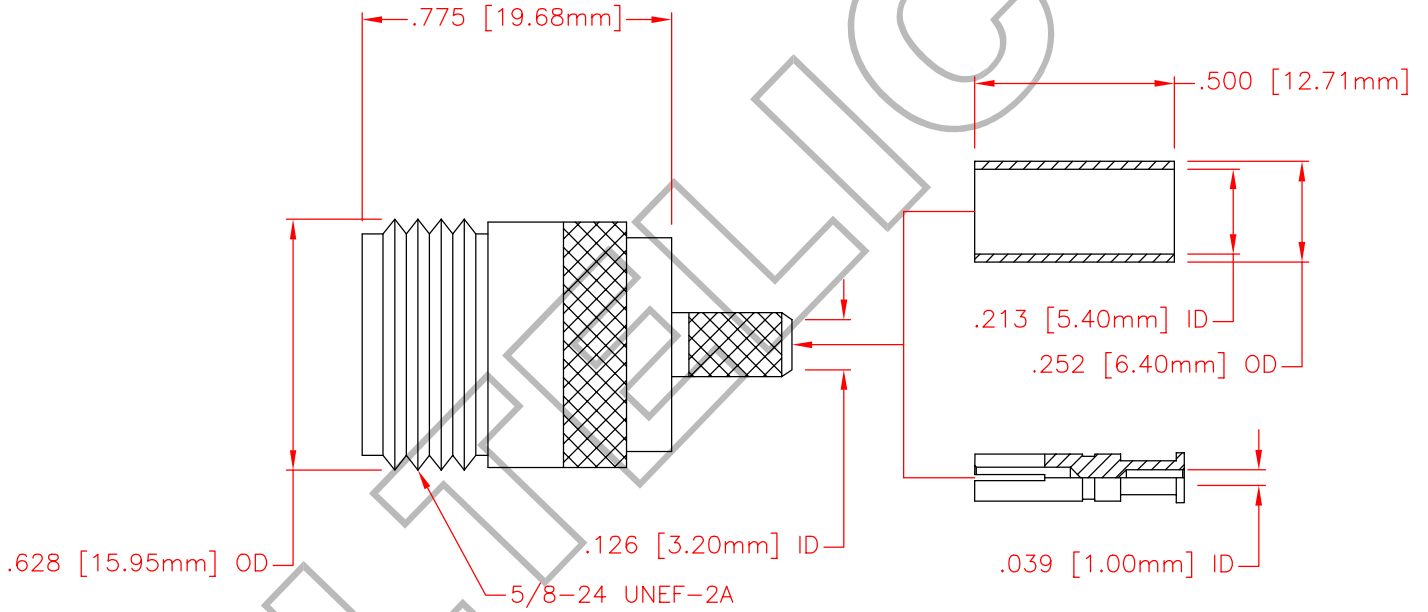


MATERIALS	
BODY	NICKEL PLATED BRASS
CONTACT	GOLD PLATED BRASS
INSULATOR	PTFE



STRIPPING DIMENSIONS

CRIMP SIZES REQUIRED  
 CONTACT: .068 [1.7]  
 HEX CRIMP TOOL  
 FERRULE: .213 [5.4]  
 HEX CRIMP TOOL

- NOTES:  
 1. UNLESS OTHERWISE SPECIFIED ALL DIMENSIONS ARE NOMINAL.  
 2. ALL SPECIFICATIONS ARE SUBJECT TO CHANGE WITHOUT NOTICE AT ANY TIME.

SIZE	TITLE:
A	Crimp: N-Female for Cable Group 7

REV	ECN No.	DATE	DESCRIPTION	DRAWN BY	ORIGINATOR	APPROVAL	SCALE	SHEET	MATERIAL	DRAWING No.	REV
-	-	-	-	A. VAJANYI	A. VAJANYI	P. Pesa	3:1	1/1	Noted	ANF-1700	A
				06/24/03	06/24/03	06/24/03				ANF-1700	
										ANF-1700	
										ANF-1700	