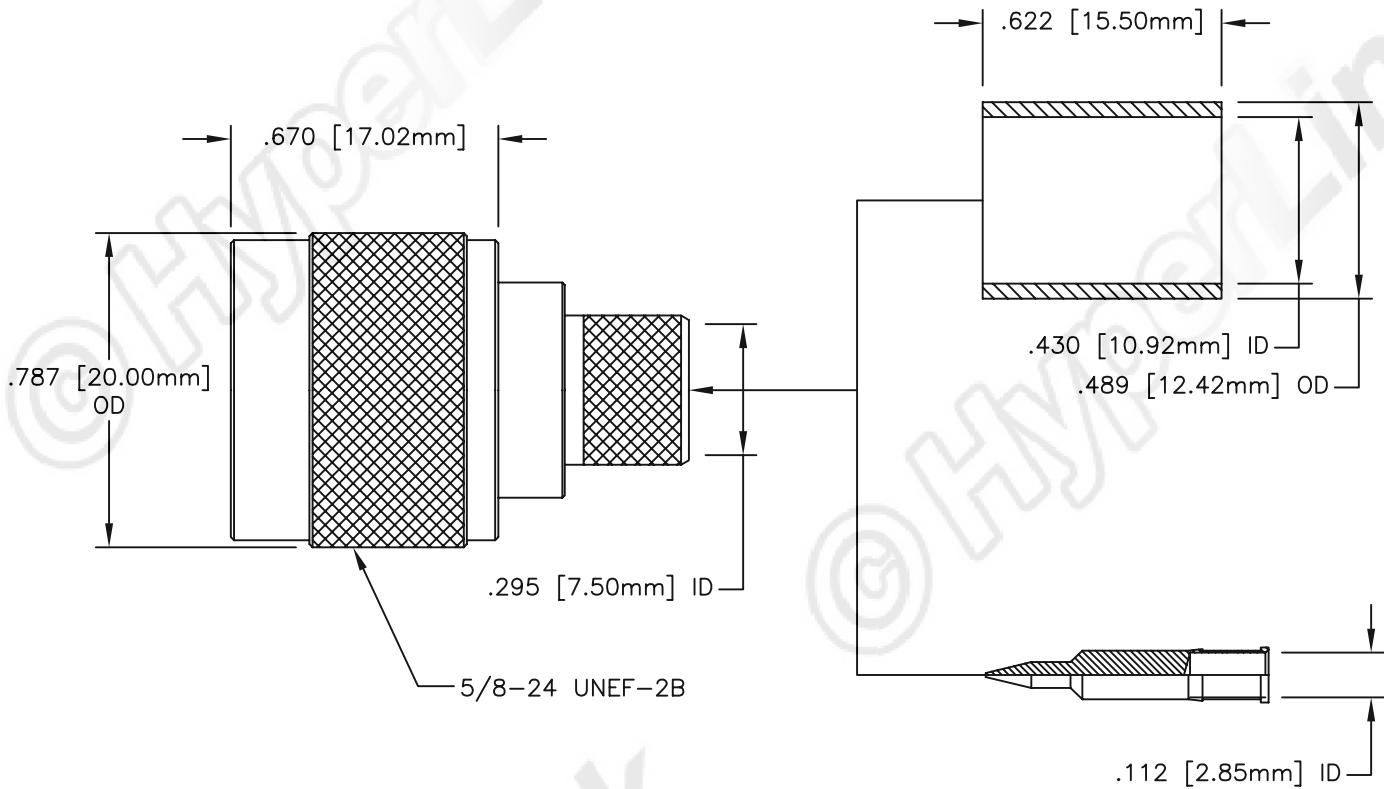


MATERIALS	
BODY	NICKEL PLATED BRASS
CONTACT	GOLD PLATED BRASS
INSULATOR	PTFE



CRIMP SIZES REQUIRED
 CONTACT: .128 [3.3] HEX CRIMP TOOL
 FERRULE: .429 [10.9] HEX CRIMP TOOL

- NOTES:
 1. UNLESS OTHERWISE SPECIFIED ALL DIMENSIONS ARE NOMINAL.
 2. ALL SPECIFICATIONS ARE SUBJECT TO CHANGE WITHOUT NOTICE AT ANY TIME.

B	-	11/23/07	Updated Dwg

SIZE	TITLE:		
A	N-MALE CRIMP CONNECTOR FOR 400-SERIES CABLE		

REV	ECN No.	DATE	DESCRIPTION	DRAWN BY	K.Burgner	11/23/07	DRAWING No.	REV
				ORIGINATOR	K.Burgner	11/23/07	ANM-1406	B
				APPROVAL	K.Burgner	11/23/07	PART No. ANM-1406	
				SCALE 3:1	SHEET 1/1	MATERIAL ---	FILE No. ANM-1406	