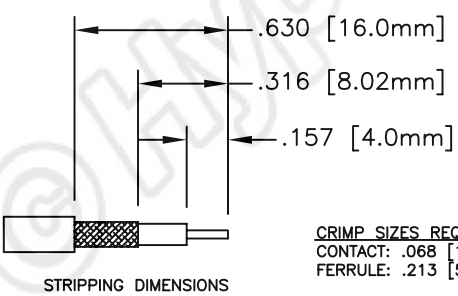
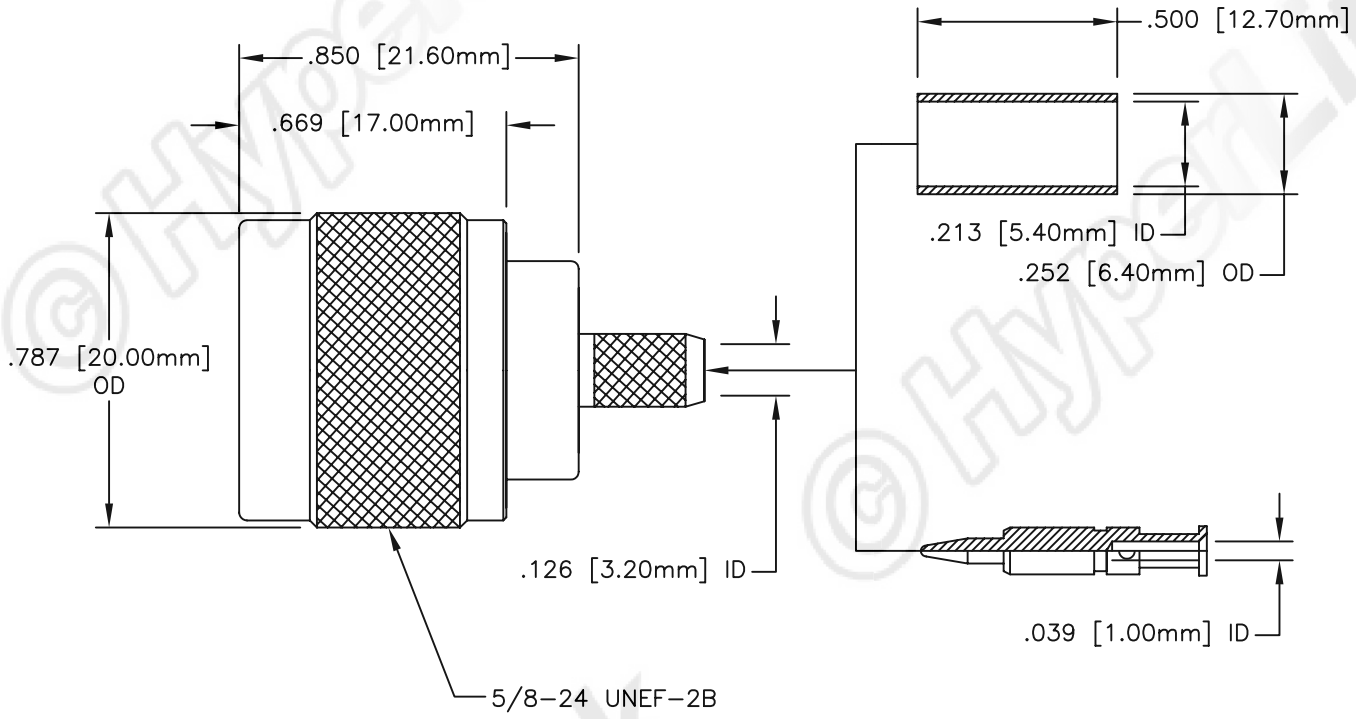


MATERIALS	
BODY	BRASS NICKEL PLATED
CONTACT	GOLD PLATED BRASS
INSULATOR	PTFE



**CRIMP SIZES REQUIRED**  
 CONTACT: .068 [1.7] HEX CRIMP TOOL  
 FERRULE: .213 [5.4] HEX CRIMP TOOL

NOTES:  
 1. UNLESS OTHERWISE SPECIFIED ALL DIMENSIONS ARE NOMINAL.  
 2. ALL SPECIFICATIONS ARE SUBJECT TO CHANGE WITHOUT NOTICE AT ANY TIME.

B	-	11/26/07	Updated Dwg

SIZE	TITLE:		
A	N-MALE CRIMP CONNECTOR FOR 195-SERIES CABLE		

REV	ECN No.	DATE	DESCRIPTION	DRAWN BY	K.Burgner	11/26/07	DRAWING No.	REV
				ORIGINATOR	K.Burgner	11/26/07	ANM-1700	B
				APPROVAL	K.Burgner	11/26/07	PART No. ANM-1700	
				SCALE 3:1	SHEET 1/1	MATERIAL ---	FILE No. ANM-1700	