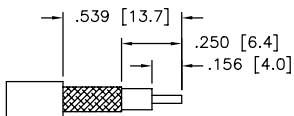
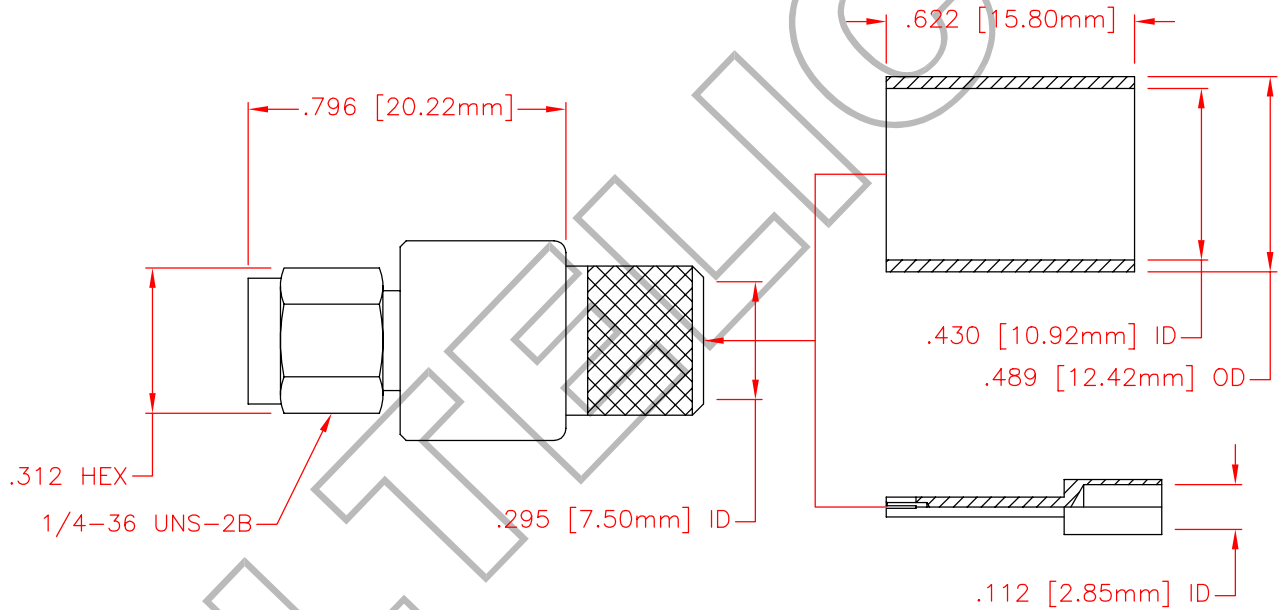


MATERIALS	
BODY	NICKEL PLATED BRASS
CONTACT	GOLD PLATED BRASS
INSULATOR	PTFE



CRIMP SIZES REQUIRED  
 CONTACT:  $.128$  [3.3]  
 HEX CRIMP TOOL  
 FERRULE:  $.429$  [10.9]  
 HEX CRIMP TOOL

STRIPPING DIMENSIONS

NOTES:  
 1. UNLESS OTHERWISE SPECIFIED ALL DIMENSIONS ARE NOMINAL.  
 2. ALL SPECIFICATIONS ARE SUBJECT TO CHANGE WITHOUT NOTICE AT ANY TIME.

SIZE	TITLE:
A	Crimp: SMA Reverse Polarity for Cable Group 4

REV	ECN No.	DATE	DESCRIPTION	DRAWN BY	ORIGINATOR	APPROVAL	SCALE	SHEET	MATERIAL	DRAWING No.	REV
-	-	-	-	A. VAJANYI	A. VAJANYI	P. Pesa	3:1	1/1	Noted	ARSP-1404	A
				06/24/03	06/24/03	06/24/03			FILE No.	ARSP-1404	

**ALTELICON**  
 YOUR CONNECTOR CONNECTION

**ALTELICON**  
 Website: www.altelicon.com  
 E-Mail: sales@altelicon.com  
 Copyright © ALTELICON. All rights reserved.