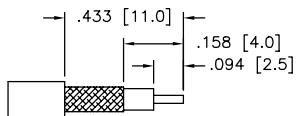
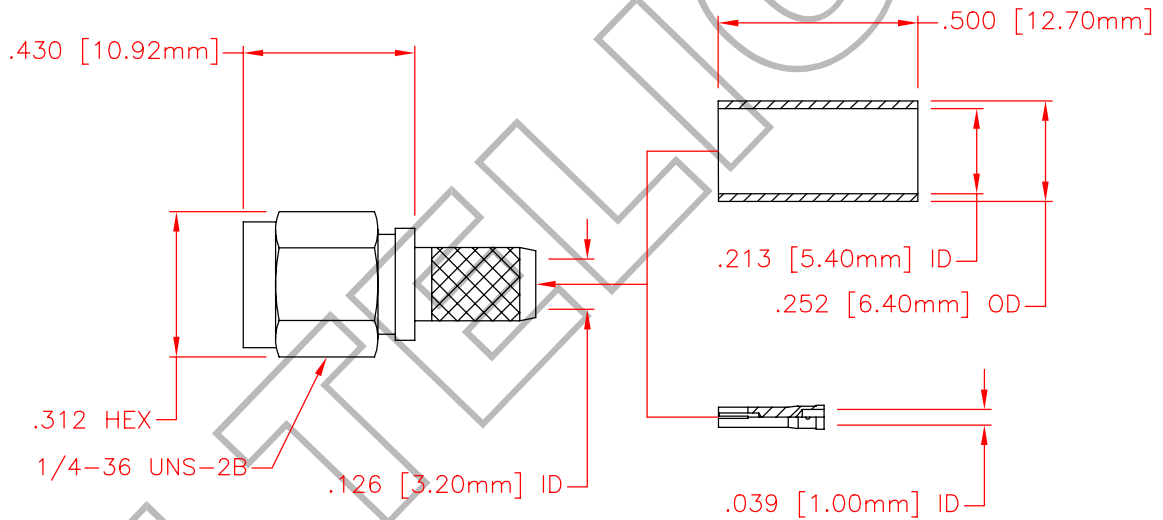


MATERIALS	
BODY	NICKEL PLATED BRASS
CONTACT	GOLD PLATED BRASS
INSULATOR	PTFE



CRIMP SIZES REQUIRED
 CONTACT: .068 [1.7]
 HEX CRIMP TOOL
 FERRULE: .213 [5.4]
 HEX CRIMP TOOL

STRIPPING DIMENSIONS

- NOTES:
- UNLESS OTHERWISE SPECIFIED ALL DIMENSIONS ARE NOMINAL.
 - ALL SPECIFICATIONS ARE SUBJECT TO CHANGE WITHOUT NOTICE AT ANY TIME.

SIZE

TITLE:

A

Crimp: SMA Reverse Polarity
 for Cable Group 7

REV	ECN No.	DATE	DESCRIPTION	DRAWN BY	A. VAJANYI 06/24/03	DRAWING No.	REV
-	-	-	-	ORIGINATOR	A. VAJANYI 06/24/03	ARSP-1700	A
ALTELICON YOUR CONNECTOR CONNECTION <small>ALTELICON Website: www.altelicon.com E-Mail: sales@altelicon.com Copyright © ALTELICON. All rights reserved.</small>				APPROVAL	P. Pesa 06/24/03	PART No.	ARSP-1700
				SCALE 3:1	SHEET 1/1	MATERIAL	Noted