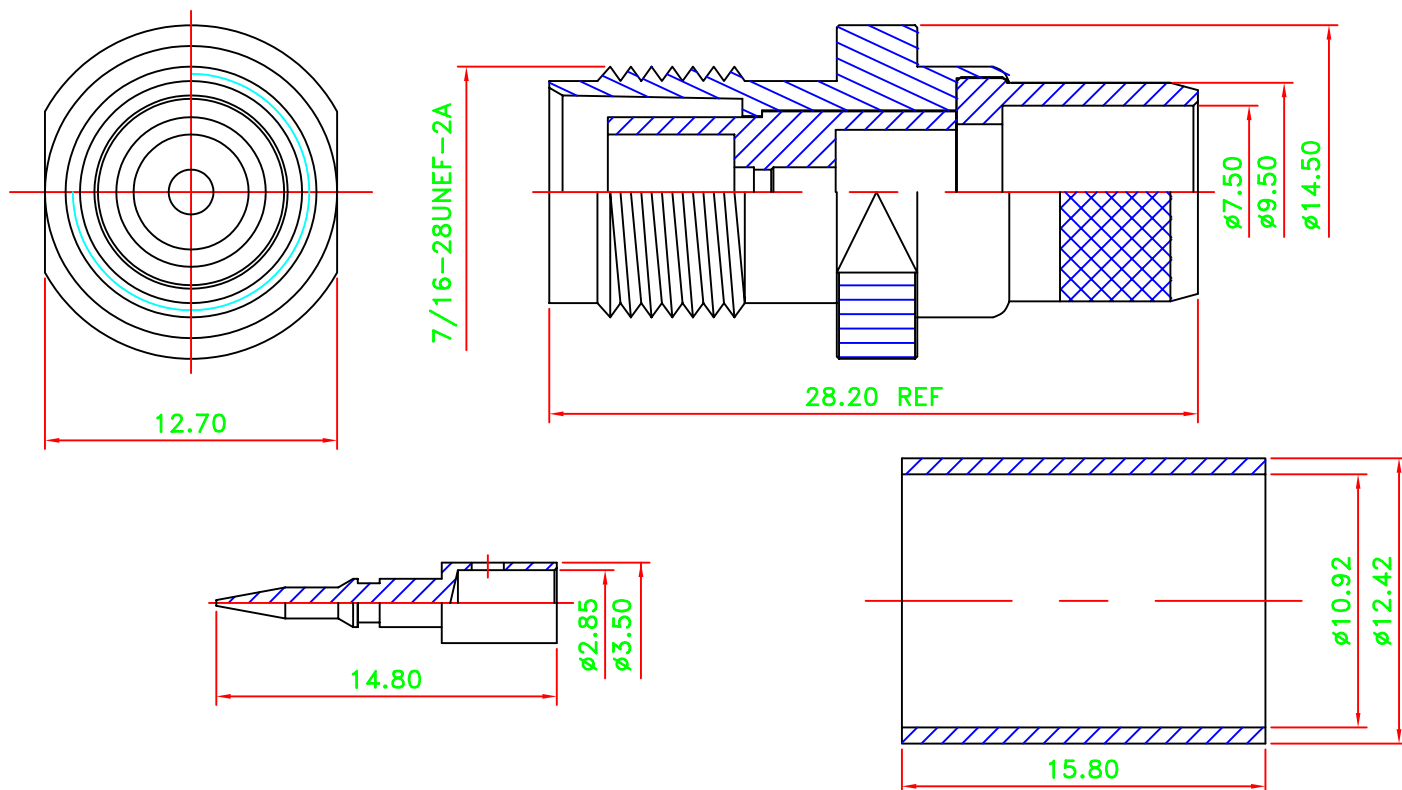


5	Ferrule	1	Brass	Nickel
4	Press fit ferrule stud	1	Brass	Nickel
3	Dielectric	1	Teflon	None
2	Pin	1	Brass	Gold
1	Body	1	Brass	Nickel
NO	Description	Q'ty	Material	Finish



NOTES:

1. UNLESS OTHERWISE SPECIFIED ALL DIMENSIONS ARE NOMINAL.
2. ALL SPECIFICATIONS ARE SUBJECT TO CHANGE WITHOUT NOTICE AT ANY TIME.
3. DIMENSIONS IN MM

				SIZE	TITLE:			
				A	Reverse-Polarity TNC-Jack Crimp Connector for Cable Types: RG8/WBC400/LMR400			
REV	ECN No.	DATE	DESCRIPTION	DRAWN BY	JC	02/22/05	DRAWING No.	REV
-	-	-	-	ORIGINATOR	P. Pesa	02/22/05	ARTJ-1404	A
ALTELCON ALTELCON Website: www.altelicon.com E-Mail: sales@altelicon.com Copyright © ALTELCON. All rights reserved.				APPROVAL	P. Pesa	02/22/05	PART No.	ARTJ-1404
				SCALE	NA	SHEET 1/1	MATERIAL	Noted