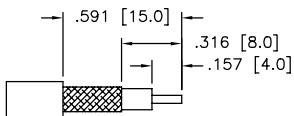
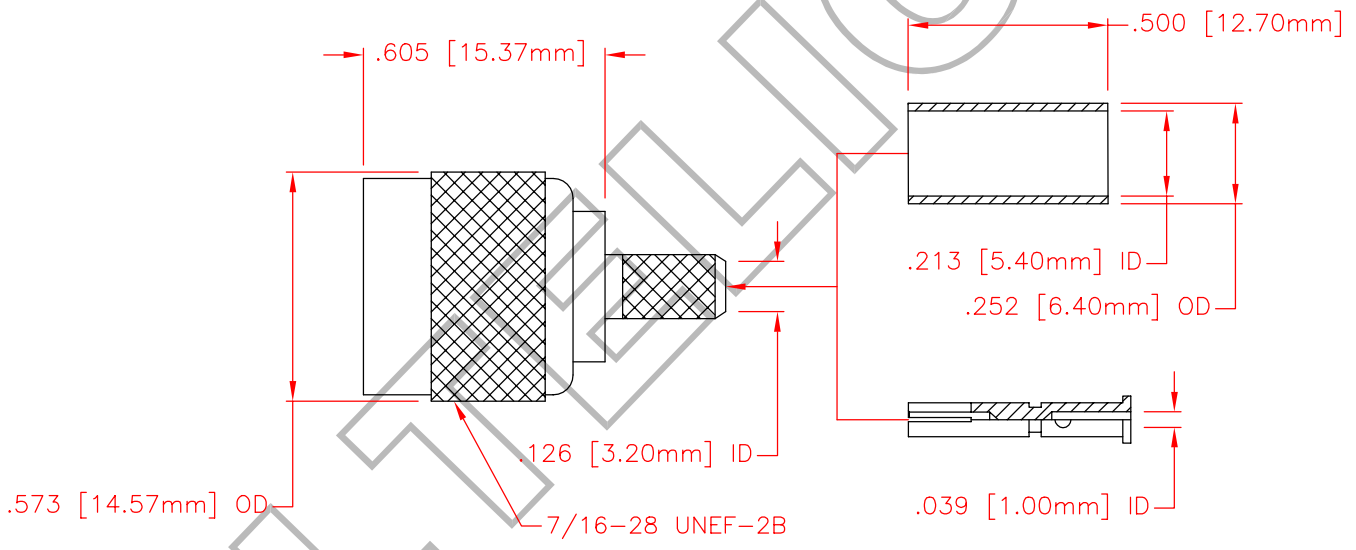


MATERIALS	
BODY	NICKEL PLATED BRASS
CONTACT	GOLD PLATED BRASS
INSULATOR	PTFE



CRIMP SIZES REQUIRED  
 CONTACT: .068 [1.7]  
 HEX CRIMP TOOL  
 FERRULE: .213 [5.4]  
 HEX CRIMP TOOL

STRIPPING DIMENSIONS

- NOTES:  
 1. UNLESS OTHERWISE SPECIFIED ALL DIMENSIONS ARE NOMINAL.  
 2. ALL SPECIFICATIONS ARE SUBJECT TO CHANGE WITHOUT NOTICE AT ANY TIME.

				SIZE	TITLE:		
				A	Crimp: TNC Reverse Polarity for Cable Group 7		
REV	ECN No.	DATE	DESCRIPTION	DRAWN BY	A. VAJANYI 06/24/03	DRAWING No.	REV
-	-	-	-	ORIGINATOR	A. VAJANYI 06/24/03	ARTP-1708	A
<b>ALTELICON</b>				APPROVAL	P. Pesa 06/24/03	PART No.	ARTP-1708
ALTELICON Website: www.altelicon.com E-Mail: sales@altelicon.com Copyright © ALTELICON. All rights reserved.				SCALE 3:1	SHEET 1/1	MATERIAL Noted	FILE No. A RTP-1708
<b>YOUR CONNECTOR CONNECTION</b>							