

# 07-5103-96

## Pre-assembled junction boxes

Ex e preassembled GRP junction boxes for zone 1/21



**Polyester distribution boxes have been of great advantage in many industrial plants. They offer safe protection even when they are exposed to extreme environmental conditions, aggressive chemical media or high mechanical stress.**

The narrow sides within the enclosure hold threaded bushings for the fixing of terminal rails or mounting panels. The enclosure is mounted by means of insulated screws outside of the lid sealing gasket. These black high-quality explosion-proofed enclosures are used in hazardous areas by inflammable dust (Zone 21 and 22). The fundamental prerequisites of the „protection through enclosure“ protection class are fulfilled with the heating up calculation as per the accompanying sheet and a separate IP protection test. We offer 10 different types of pre-assembled junction boxes which are managed on stock.

- Robust
- Functional
- Delivery from stock

### Explosion protection

Marking ATEX	⊕ II 2G Ex eb IICT6 Gb ⊕ II 2D Ex tb IIICT80 °C Db
Certification	PTB 08 ATEX 1064X
Ambient temperature	-20 °C to +40 °C at T6

### Technical data

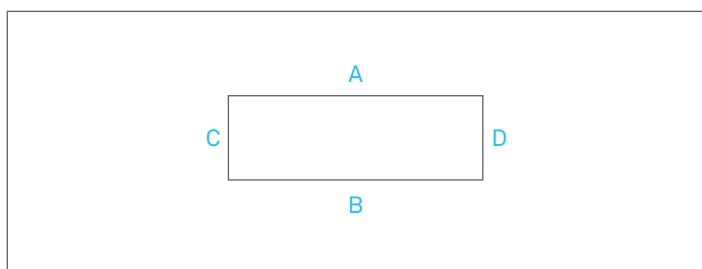
Protection class	IP 66
Material	glass-fibre reinforced polyester, EN 60079-0, halogen-free
Colour	RAL 9005, black
Electrical resistance	surface resistance < 10 <sup>9</sup> Ω

### Ordering information

Dimensions (mm)	side A	side B	side C	side D	Terminals	Voltage (V)	Order no.
110 x 75 x 55	2 x M20 x 1.5	2 x M20 x 1.5 1 x M20*	–	–	10x AKZ4 + 2 x PE	275	07-5103-9600
110 x 75 x 55	1 x M20 x 1.5 1 x M25 x 1.5	2 x M20 x 1.5 1 x M20*	–	–	10 x AKZ4 + 2 x PE	275	07-5103-9601
122 x 120 x 90	2 X M20 x 1.5	2 x M20 x 1.5	1 x M20 x 1.5*	1 x M20 x 1.5*	10 x WDU4 + 2 x PE	690	07-5103-9602
160 x 160 x 90	2 X M25 x 1.5	2 x M25 x 1.5	1 x M20 x 1.5*	1 x M20 x 1.5*	12 x WDU4 + 4 x PE	690	07-5103-9603
220 x 160 x 90	4 x M16 x 1.5 4 x M20 x 1.5*	4 x M16 x 1.5 4 x M20 x 1.5 1 x M25 x 1.5*	–	–	25 x WDU4 + 6 x PE	690	07-5103-9604
260 x 160 x 90	3 x M25 x 1.5 3 x M20 x 1.5	2 x M32 x 1,5 3 x M25 x 1.5 1 x M20 x 1,5	–	–	14 x WDU6 + 4 x PE, 4 x WDU2,5 + 2 x PE	550	07-5103-9605
122 x 120 x 90	–	2 x M20 x 1.5	1 x M20 x 1.5	1 x M20 x 1.5	8 x WDU4 + 2 x PE	690	07-5103-9606
122 x 120 x 90	–	2 x M20 x 1.5	1 x M20 x 1.5*	1 x M20 x 1.5*	8 x WDU4 + 2 x PE	690	07-5103-9607
122 x 120 x 90	–	2 x M25 x 1.5	1 x M25 x 1.5	1 x M25 x 1.5	6 x WDU6 + 2 x PE	550	07-5103-9608
122 x 120 x 90	–	2 x M25 x 1.5	1 x M25 x 1.5*	1 x M25 x 1.5*	6 x WDU6 + 2 x PE	550	07-5103-9609

\* Stopping plug

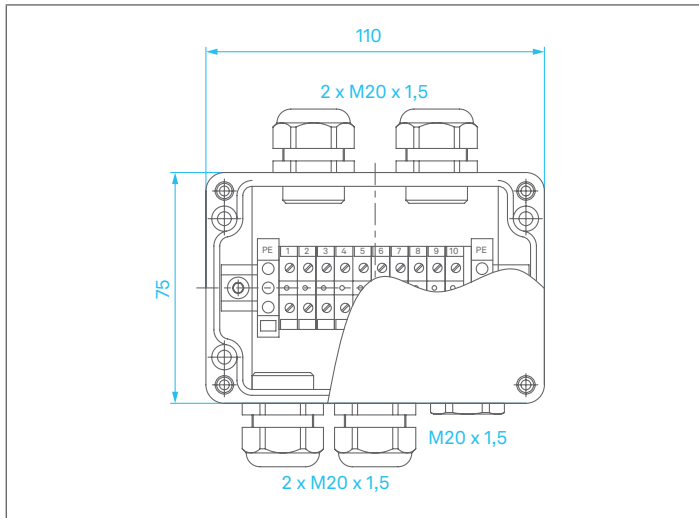
### Orientation



**BRT-07-5103-9600**

Dimensions 110 x 75 x 55 mm

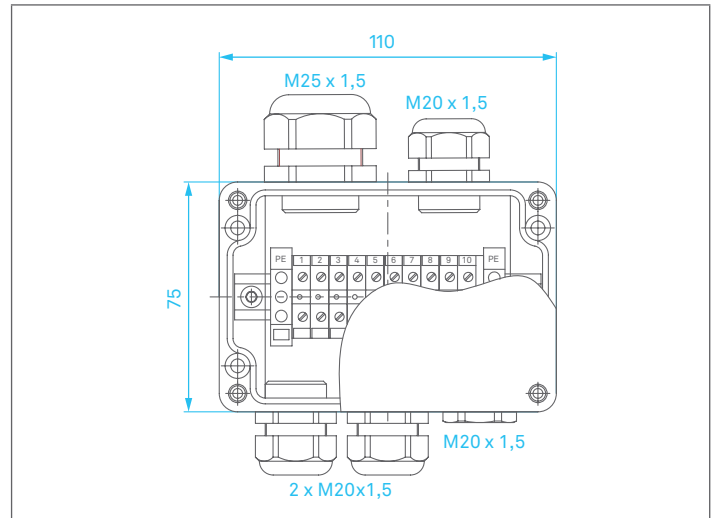
Terminals: 10x AKZ4 + 2x PE



**BRT-07-5103-9601**

Dimensions 110 x 75 x 55 mm

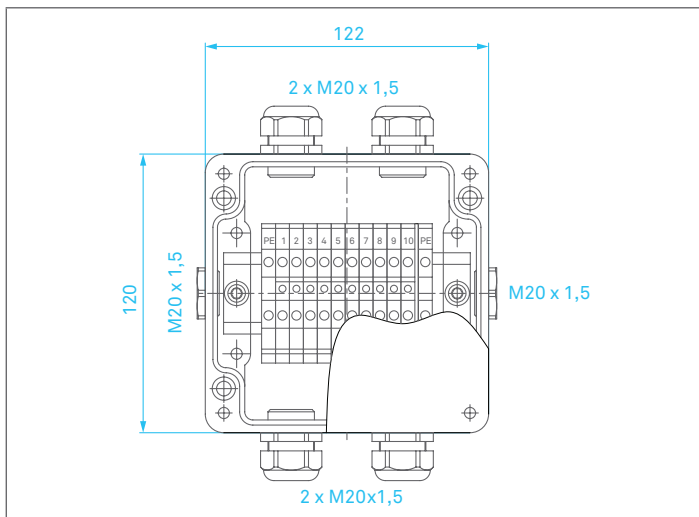
Terminals: 10x AKZ4 + 2x PE



**BRT-07-5103-9602**

Dimensions 112 x 120 x 90 mm

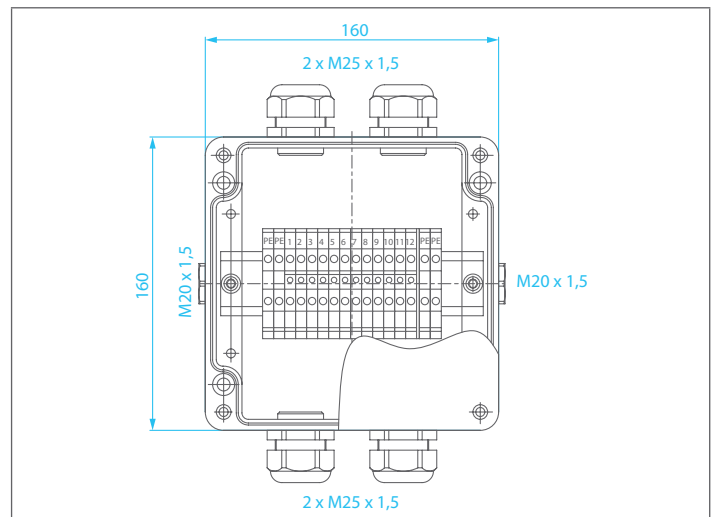
Terminals: 10x WDU4 + 2x PE



**BRT-07-5103-9603**

Dimensions 160 x 160 x 90 mm

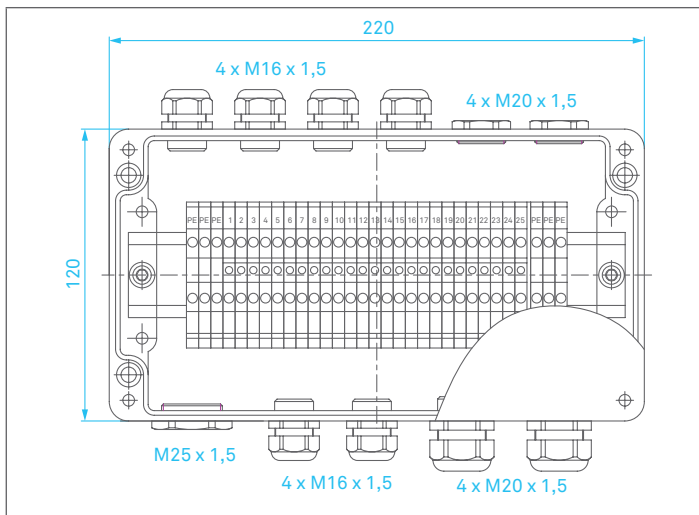
Terminals: 12x WDU4 + 4x PE



**TBRT-07-5103-9604**

Dimensions 220 x 120 x 90 mm

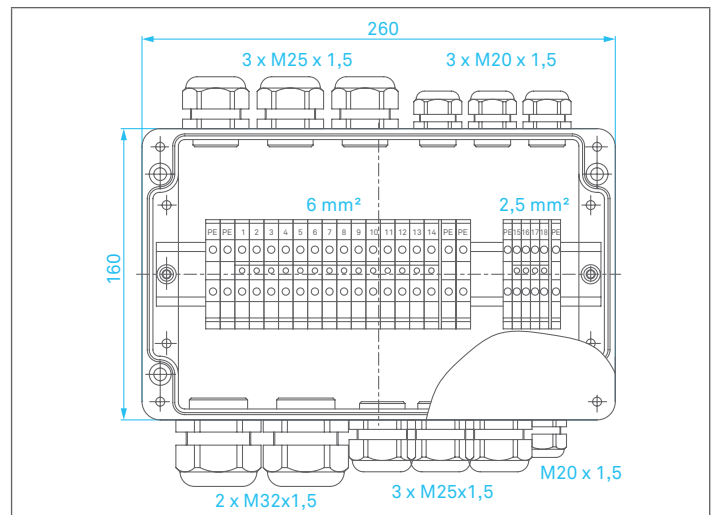
Terminals: 25x WDU4 + 6x PE



**BRT-07-5103-9605**

Dimensions 260 x 160 x 90 mm

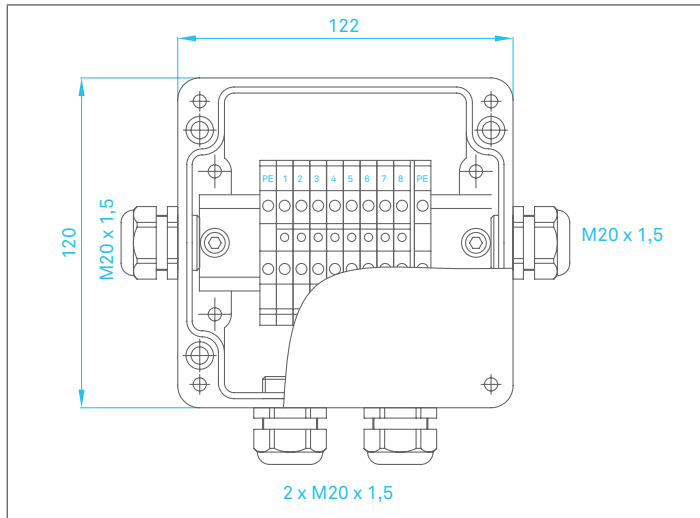
Terminals: 14x WDU6 + 4x PE, 4x WDU2,5 + 2x PE



**BRT-07-5103-9606**

Dimensions 122 x 120 x 90 mm

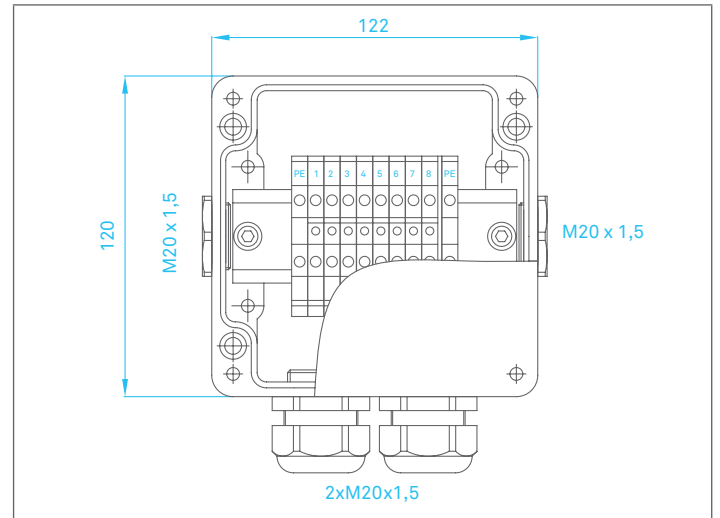
Terminals: 8x WDU4 + 2x PE



**BRT-07-5103-9607**

Dimensions 122 x 120 x 90 mm

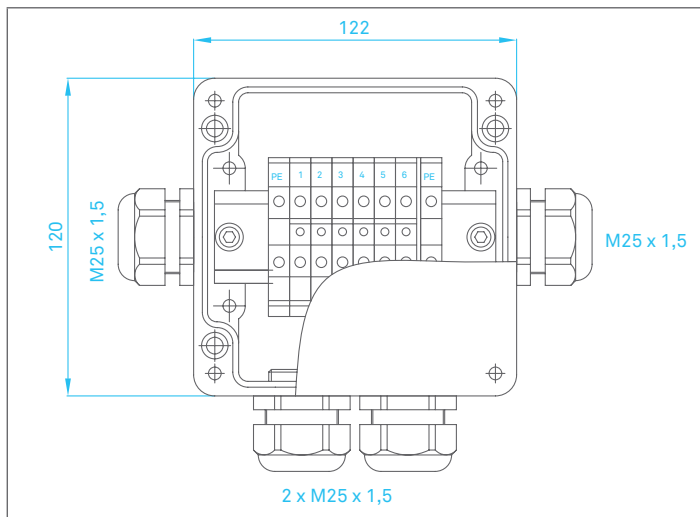
Terminals: 8x WDU4 + 2x PE



**BRT-07-5103-9608**

Dimensions 122 x 120 x 90 mm

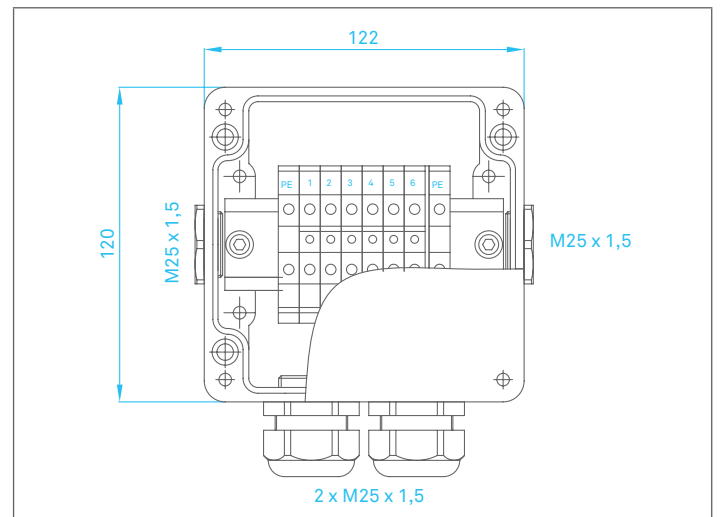
Terminals: 6x WDU6 + 2x PE



**BRT-07-5103-9609**

Dimensions 122 x 120 x 90 mm

Terminals: 6x WDU6 + 2x PE



REMARK:

Due to the development of the national and international specifications and of the technology, the above technical characteristics showed on this bulletin can be considered as binding on our confirmation only.