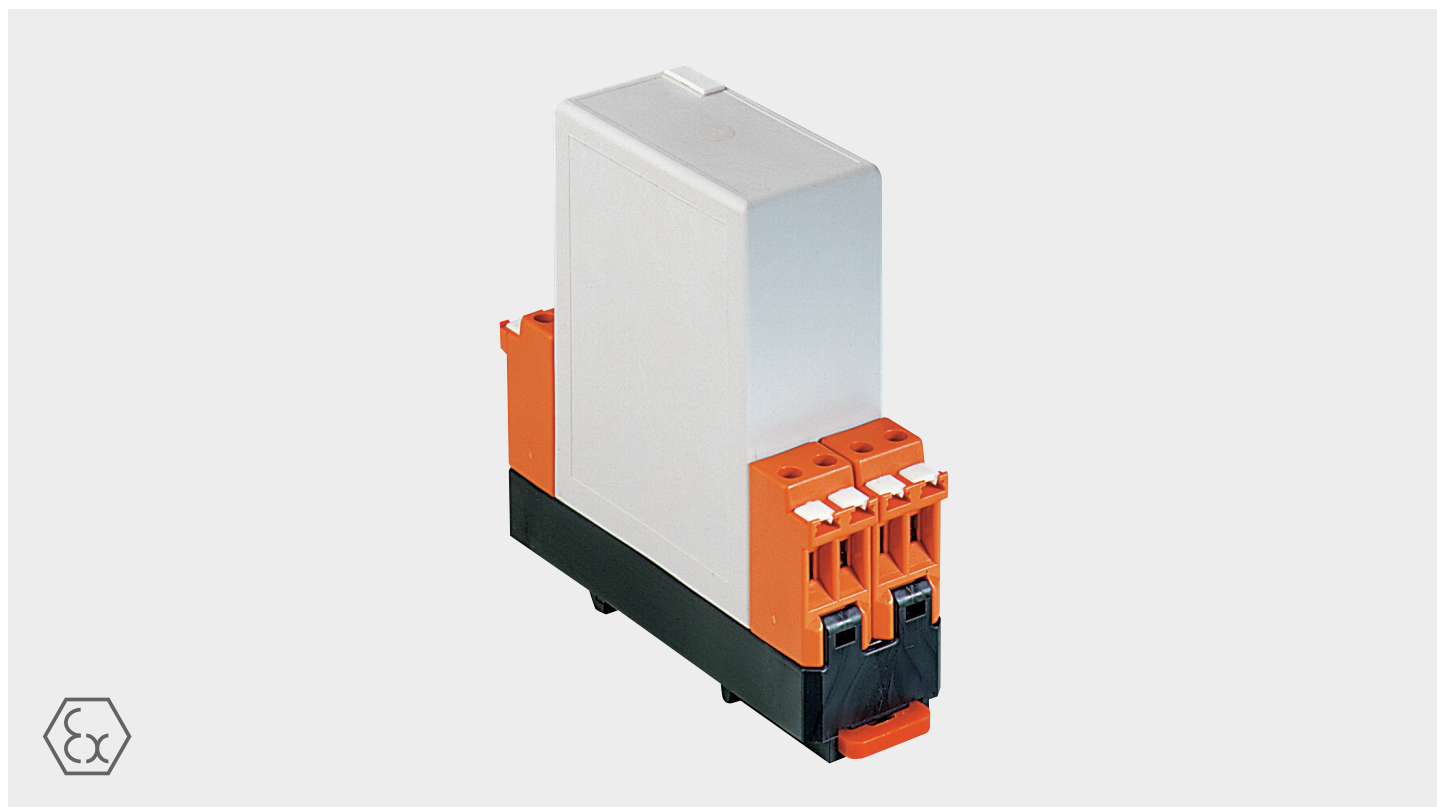


# Isolator relay

galvanic isolation in acc. with EN/IEC 60079-0 and EN/IEC 60079-11



**This relay is used as an isolator between non-intrinsically safe and intrinsically safe circuits. Various coil and contact configurations are available.**

Several intrinsically safe circuits can be connected to the contact circuits, provided that intrinsic safety is maintained. Safe galvanic isolation in conformance to EN/IEC 60079-11 up to 375 V is provided between the coil and contacts.

- Isolator between non-intrinsically safe and intrinsically safe circuits
- Safe galvanic isolation

**Explosion protection**

Marking ATEX	II 2(1)G Ex de [ia Ga] IIC Ga
Certification	PTB 97 ATEX 1068 U PTB 03 ATEX 2169 X
Marking IECEx	Ex db e IIC or Ex d e [ia Ga] IIC Ga Ex db e I or Ex d e [ia Ma] I Mb
Certification	IECEX PTB 13.0016X
Marking CSA	Class I, Zone 1, IIC A/Ex d e [ia] IIC Ga
Certification	CSA 2011-2484303U
Ambient temperature range	-20 °C to +60 °C
Other approvals and certificates, see <a href="http://www.bartec.com">www.bartec.com</a>	

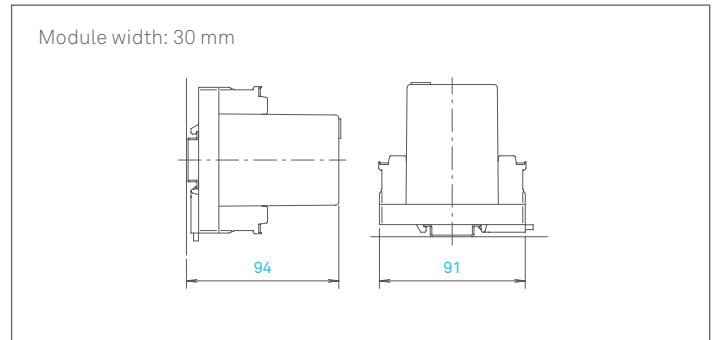
**Technical data**

Enclosure material	High-quality thermoplastic
Protection class (EN/IEC 60529)	Module IP 66 Terminals IP 20
Terminals	2.5 mm <sup>2</sup> , fine stranded
Mounting rail	TH 35 x 7.5 (15) EN/IEC 60715
Terminal designation	written marking label
Ambient temperature	-25 °C to +55 °C (DC 12 V/24 V) at T6 and 15 mm distance
Storage temperature	-40 °C to +70 °C
Weight	0.250 kg

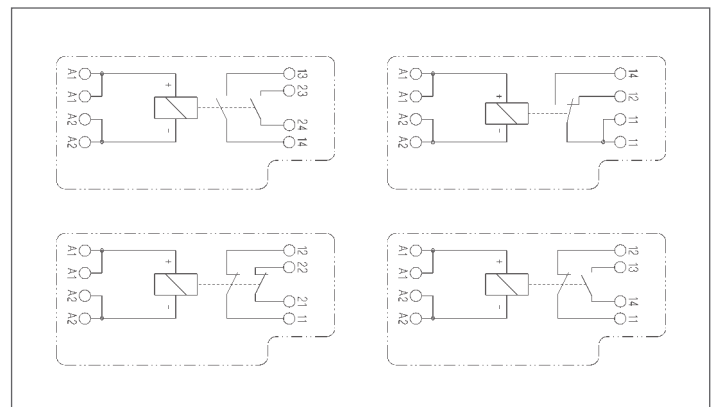
**Electrical data**

<b>Coil data</b>	
Nominal voltage (VDC)	24 V
Pick-up voltage (VDC)	≤ 17,5 V
Drop-out voltage (VDC)	≥ 2,4 V
Nominal current (mA)	29 mA
Resistance (Ohm)	822 ±10%
<b>Contact data (non-intrinsically safe)</b>	
Single-pole contact	Contact material AgCuNi
Max. switching voltage	AC 250 V
Max. switching current	4 A
Max. switching capacity (AC)	100 VA/cos φ = 1
Max. switching capacity (at switching voltage up to DC 24 V)	96 W/ohmic load
<b>Contact data (intrinsically safe)</b>	
Double contact	Contact material AgCuNi, hard gold plated
Max. switching voltage	AC 46 V, DC 65 V
Max. switching current	2 A
Max. switching capacity (AC)	92 VA/cos φ = 1
Max. switching capacity	48 W/ohmic load
Test voltages	Coil-contact 5000 V <sub>rms</sub> Contact assembly-contact assembly 2500 V <sub>rms</sub> Contact open 1000 V <sub>rms</sub>
Mechanical life	> 50 x 10 <sup>6</sup> switching cycles
Electrical life	3 x 10 <sup>6</sup> switching cycles (single-pole contact, AC 250 V; 4 A; cos φ = 1; 360 switching cycles/h)

**Dimensions/mounting positions (mm)**



**Wiring diagram/terminal assignment**



**Ordering information (Version 1)**

0 7 - 7 3 1 1 - 9 3 7 A / B B 0 0

A Contacts (non-intrinsically safe)  
1 – 1 changeover  
4 – 2 NO  
6 – 2 NC  
7 – 1 NO / 1 NC

BB Coil voltage (intrinsically safe)  
W5 – DC 24 V

Please insert code number.

**Ordering information (Version 2)**

0 7 - 7 3 1 1 - 9 3 7 A / B B 0 0

A Contacts (intrinsically safe)  
E – 1 changeover  
F – 1 NO / 1 NC  
G – 2 NO  
H – 2 NC

BB Coil voltage (non-intrinsically safe)  
Q6 – DC 24 V

Please insert code number.