

Position switch Aluminium



- Dimensions and mounting dimensions according to DIN EN 50041
- Compatible with non-Ex DIN limit switches
- Different switching elements

All dimensions and actuating elements of the Ex d position switch correspond to the DIN EN 50041 standard. Its 30 x 60 mm mounting dimensions make the switch directly compatible to the position switch corresponding to the same DIN standard. The switch is equipped with snap-action contacts with several switching element versions. A microswitch with connection cable Type 07-2511 is mounted as switching element. Different actuators are available for the variety of actuating possibilities. After the removal of four screws these knobs can be rotated by 90 °C allowing four different directions of actuation. Gold-plated contacts are available for the switching of low currents of voltages. Standard length of the connection cables are 3 m. BARTEC has designed a very extensive range of Ex e terminal boxes of polyester and aluminium for the connection of the position switch within the Ex area.

Explosion protection

Marking Position switch type 07-2511

ATEX	Ex II 2G Ex db IIC T6, T5 Gb Ex II 2D Ex tb IIIC T80°C, T95°C Db
------	---

Certification	EPS 14 ATEX 1766 X
---------------	--------------------

IECEX	Ex db IIC T6, T5 Gb Ex tb IIC T80°C, T95°C Db
-------	--

Certification	IECEX EPS 14.0092 X
---------------	---------------------

Other approvals and certificates, bartec.com

Operating temperature	-50 °C to +100 °C depending on the model and the materials used
-----------------------	--

Ambient temperature	T6 to max. +75 °C depending on the rated current
---------------------	---

Technical data

Electrical data according to DIN EN 60947-5-1	Rated operating voltage AC 400 V Utilisation category AC-15 4 A 250 V AC-15 2 A 400 V DC-13 0.15 A 250 V Isolation voltage 400 V
---	---

Ambient temperature +40 °C

AC switching capacity	ohmic load	inductive load cosφ = 0.6
	400 V 3 A	2 A
	250 V 5 A	3 A
30 V 7 A	5 A	

DC switching capacity	ohmic load	inductive load L/R = 3μs
	250 V 0.4 A	0.03 A
	30 V 7 A	5 A

Further electrical data on request.

Switching elements	see table
--------------------	-----------

Max. switching frequency	1000 h
--------------------------	--------

Mechanical life	>2 x 10 ⁶ switching cycles depending on plunger operating speed and angle
-----------------	--

Electrical life	dependent on load
-----------------	-------------------

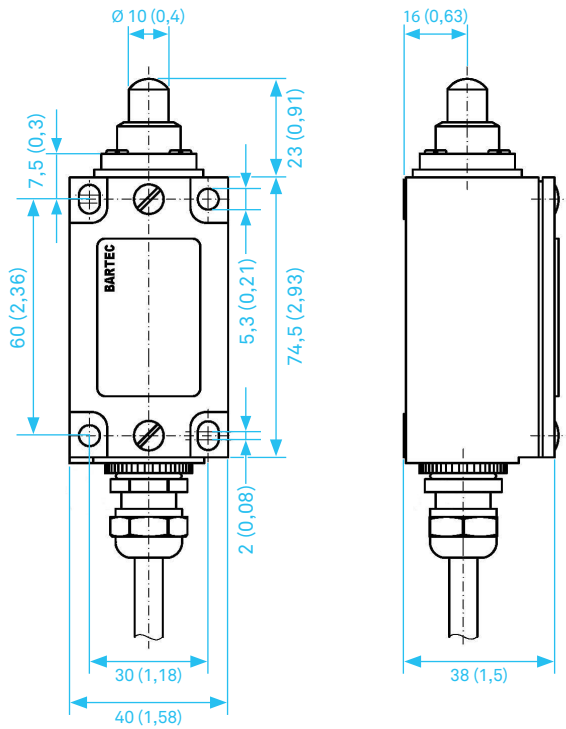
Electrical connection	Lead 0.75 mm ² H05VV-F/A05VV-F/ BETAflam
-----------------------	--

Other cores and leads on request.

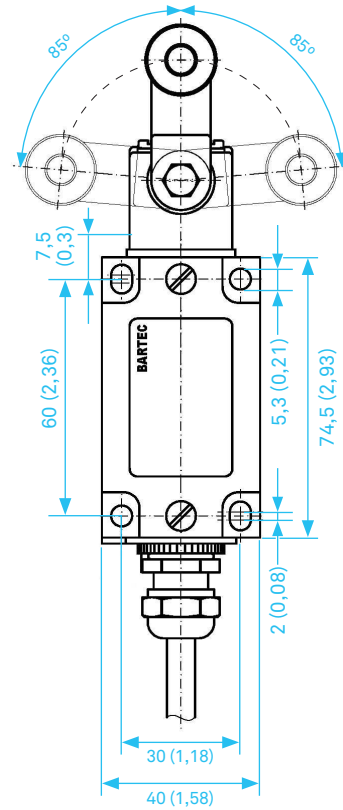
Enclosure material	aluminium
--------------------	-----------

Dimensions*

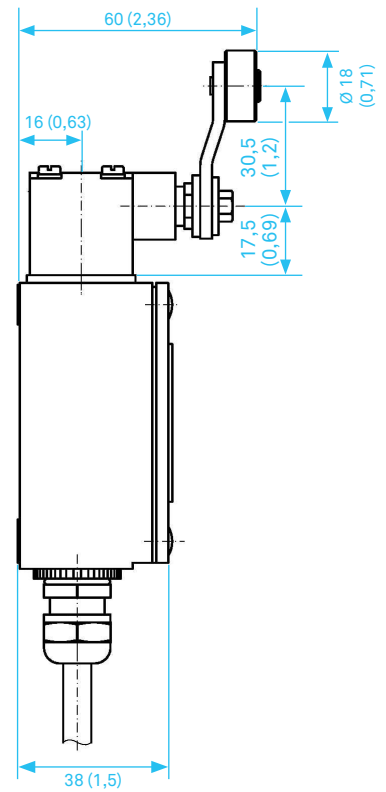
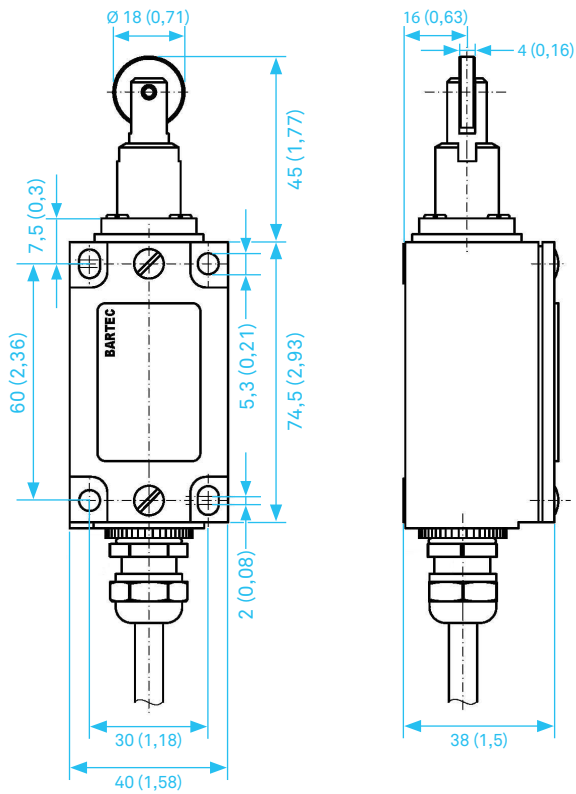
Plunger (Code no. 10)



Axle lever (Code no. 30)



Roll lever (Code no. 20)



() Specification for cable tail.

* Dimensions for actuator are reference values.

Ordering information

Type of contact			Actuators					
CC	Interrupter chamber 1	Interrupter chamber 2	DD	Max. operating force	Pretravel	Overtravel	Differential approx.	Max. plunger operating speed
10		-	10	17 N	1 mm	5 mm	0.4 mm	5 m/s
20		-	20	17 N	1 mm	5 mm	0.4 mm	5 m/s
30		-	30	17 N	1 mm	5 mm	0.4 mm	5 m/s
11		-	20	17 N	1 mm	5 mm	0.4 mm	5 m/s
22		-	20	17 N	1 mm	5 mm	0.4 mm	5 m/s
21		-	30	6 N	10°	70°	4°	5 m/s
33		-	30	6 N	10°	70°	4°	5 m/s

Other international imprints obtainable on request.

Complete order no**

Please enter code number.

0	7	-	2	9	1	*	-	1	*	*	*	/	*	*	

A	Contact material	Ambient temperature (T _a)
	1 – Silver	-20 °C bis +60 °C
	3 – Gold	-20 °C bis +60 °C
	7 – Silver	-60 °C bis +75 °C
B	8 – Gold	-60 °C bis +75 °C
	Length of connection cable	
	3 – 3 m	
	0 – please specify other length in plain text	

** Standard product printing: ATEX and IECEx marking. Please specify in plain text.