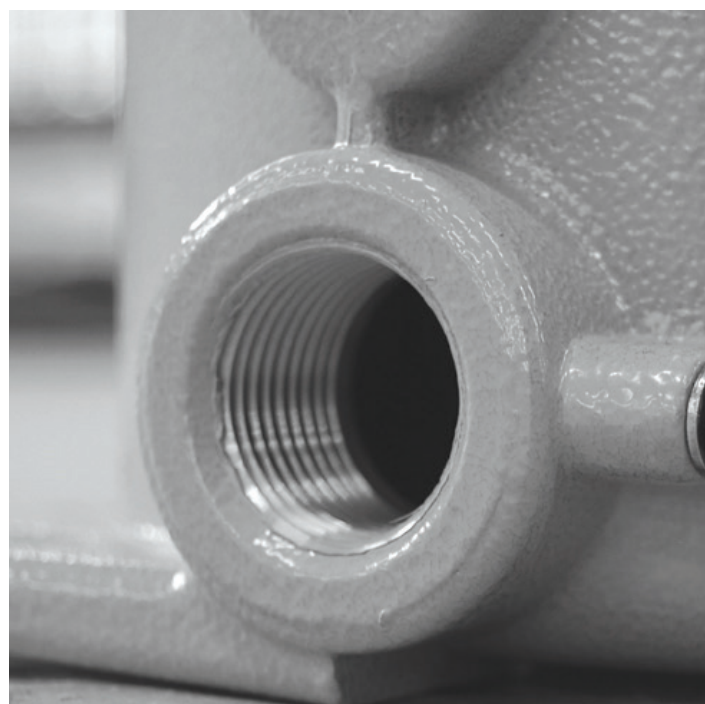


# EMH9

## Instrument housing



### Installation

hazardous areas - Zone 1 / 2 (Gases) - Zone 21 / 22 (Dusts)

### Classification

Group II - Category 2G 2D

### Reference standards

Directive 2014/34/EU	
Execution	Ⓜ II 2 G Ex d IIC T6 Gb Ⓜ II 2 D Ex tb IIIC T85 °C Db
Rules of compliance	EN/IEC 60079-0; EN/IEC 60079-1; EN/IEC 60079-31
EU Type-Examination Certificate	INERIS 02 ATEX 0069X
Protection degree	IP66
Ambient temperature	-40 °C ÷ +60 °C
Other available certificates	IECEX: IECEX INE 14.0014X RUSSIAN MARINE CERTIFICATE (RMRS): 19.02521.280

### Mechanical characteristics

Body	Marine grade copper free aluminum
Cover	Marine grade copper free aluminum
Round window	Transparent tempered glass
Gasket	NBR O-Ring sealing

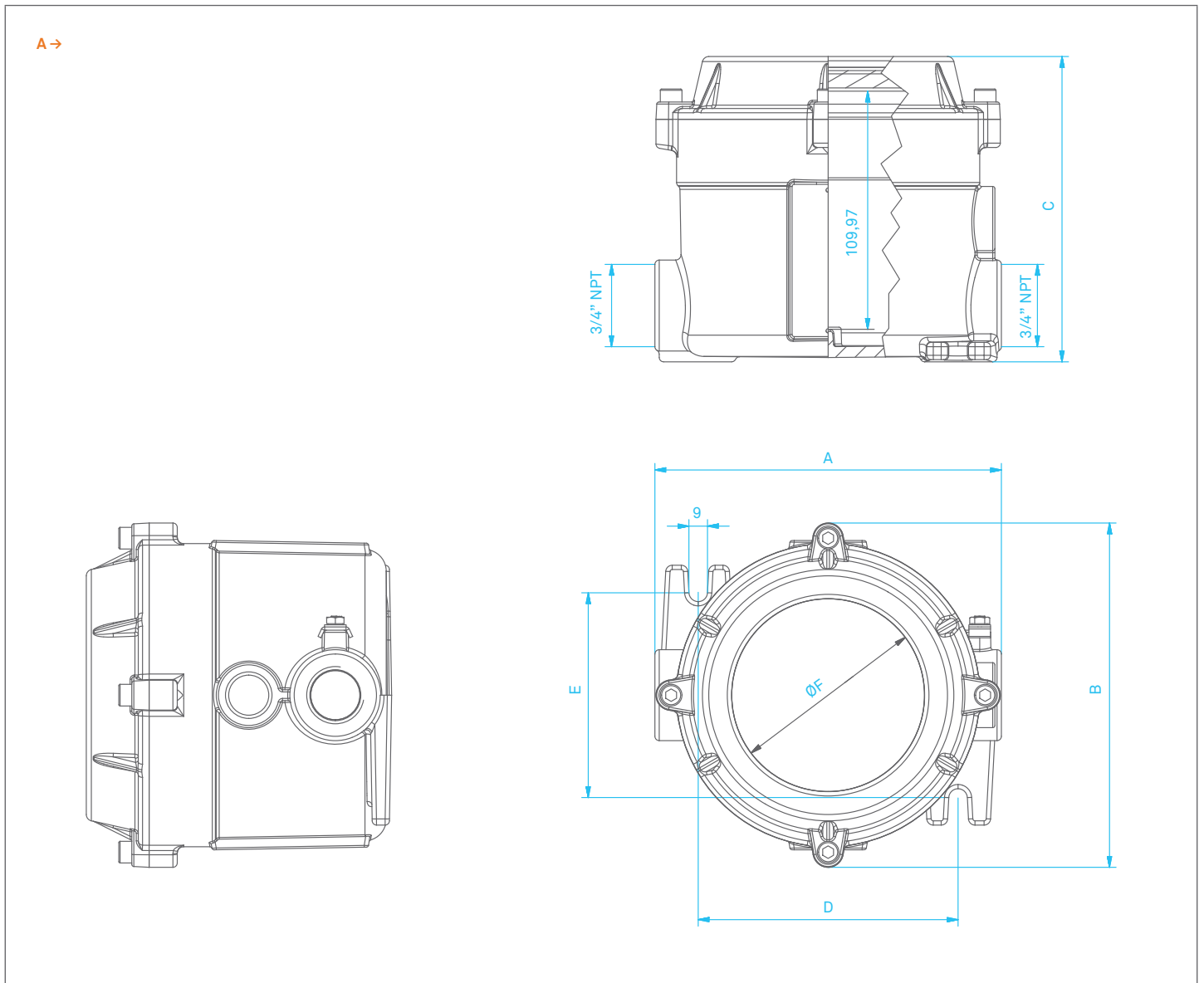
### On Request Accessories

- External epoxy painting with colour on request
- Internal anticondensate painting

**Technical features**

Code	A [mm]	B [mm]	C [mm]	D [mm]	E [mm]	F [mm]	G [mm]	ØH [mm]	Weight [kg]	Threaded Entry	Drain valve	Detail
EMH9S	160	159	141	120	95	89	110	8	1,50	1 x 3/4"	No	A
EMH92S	160	159	141	120	95	89	110	8	1,50	2 x 3/4"	No	A
EMH9SV	160	159	141	120	95	89	110	8	1,50	1 x 3/4"	Yes	A
EMH92SV	160	159	141	120	95	89	110	8	1,50	2 x 3/4"	Yes	A

**Reference details**



REMARK:

Due to the development of the national and international specifications and of the technology, the above technical characteristics showed on this bulletin can be considered as binding on our confirmation only.