

EJBM

Enclosures



On Request Accessories

- External epoxy painting with colour on request
- Internal anticondensate painting orange RAL-2004
- Glass windows on cover
- Drain and breather valves

Installation

hazardous areas - Zone 1 / 2 (Gases) - Zone 21 / 22 (Dusts)

Classification

Group II - Category 2G 2D

Reference standards

Directive 2014/34/EU	
Execution	(Ex II 2 G) Ex db IIA or IIB or IIB+H2 T6...T3 Gb (Ex II 2 G) Ex db [ia/ib IIA or IIB or IIC Ga] IIA or IIB or IIB+H2 T6 Gb (Ex II 2 D) Ex tb IIIC T85°C...T200 °C Db (Ex II 2 D) Ex tb [ia Da/ib] IIIC T85 °C Db
Rules of compliance	EN/IEC 60079-0; EN/IEC 60079-1; EN/IEC 60079-11; EN/IEC 60079-31
EU Type-Examination Certificate	ITS-I 23 ATEX 36713X
Protection degree	IP66
Ambient temperature	-60 °C ÷ +60 °C
Other available certificates	ATEX Component: ITS-I 23 ATEX 30043U IECEx Component: IECEx ITS 23.0005U IECEx: IECEx ITS-I 23.0006X

Mechanical characteristics

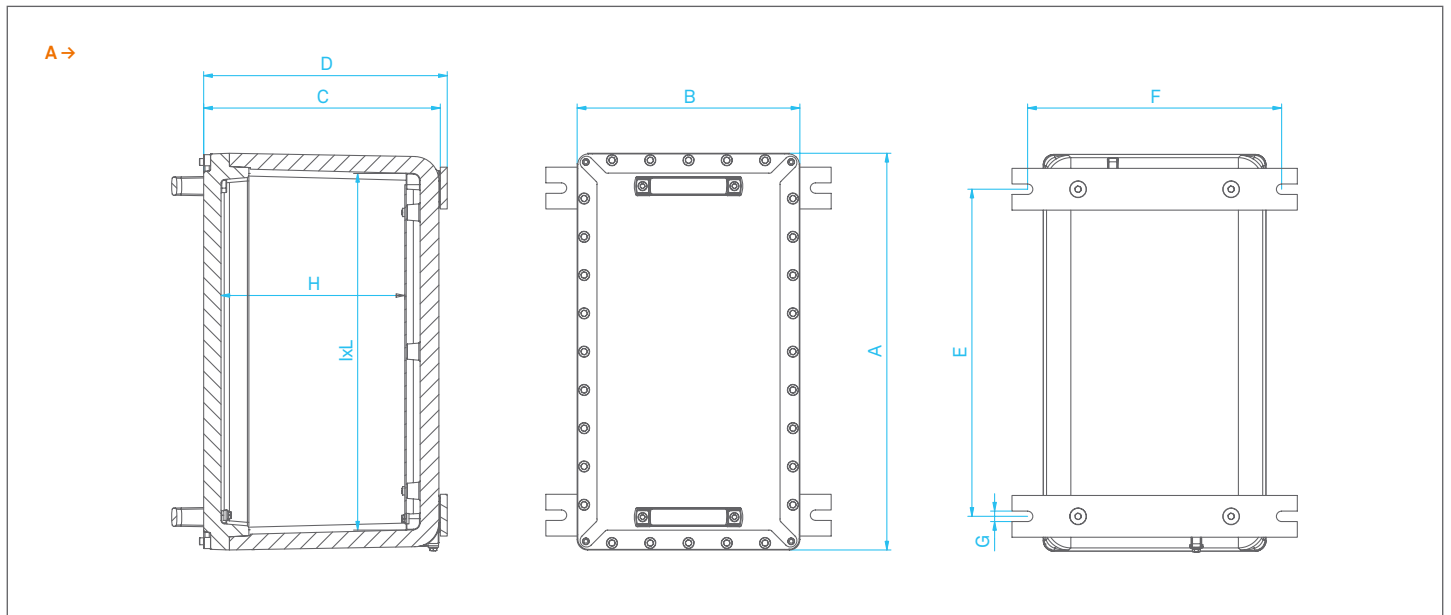
Body/cover	marine grade copper free aluminium light alloy
Screws	stainless steel
Internal mounting plate	hot dip galvanized steel / aluminum
Fixing	galvanized steel stirrups sp. 8-10 mm
Hinges	possible on all sides



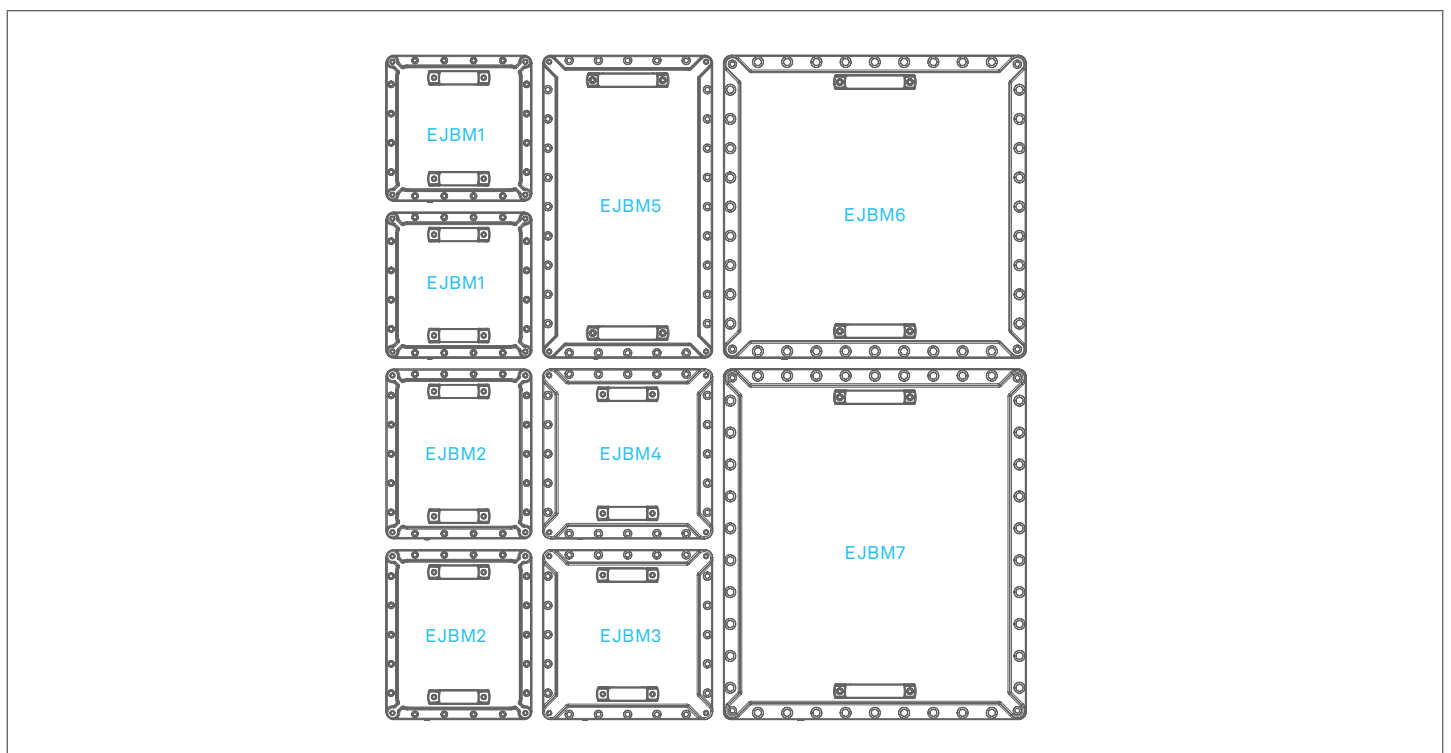
Technical Features

Code	A [mm]	B [mm]	C [mm]	D [mm]	E [mm]	F [mm]	G [mm]	H [mm]	I [mm]	L [mm]	Int. plate X - Y [mm]	Weight [kg]	Detail
EJBM1	275	275	280	288	175	310	13	204	220	220	200 - 200	24,6	A
EJBM2	320	275	280	288	220	310	13	204	265	220	200 - 245	27,7	A
EJBM3	320	320	280	288	220	355	13	204	265	265	245 - 245	31,2	A
EJBM4	320	320	340	348	220	355	13	264	262	262	245 - 245	35,6	A
EJBM5	570	320	340	350	470	365	16	264	512	262	245 - 480	56,3	A
EJBM6	570	570	340	350	470	615	16	256	500	500	480 - 480	103,5	A
EJBM7	660	570	340	350	560	615	16	249	590	500	480 - 570	121,6	A

Technical Features



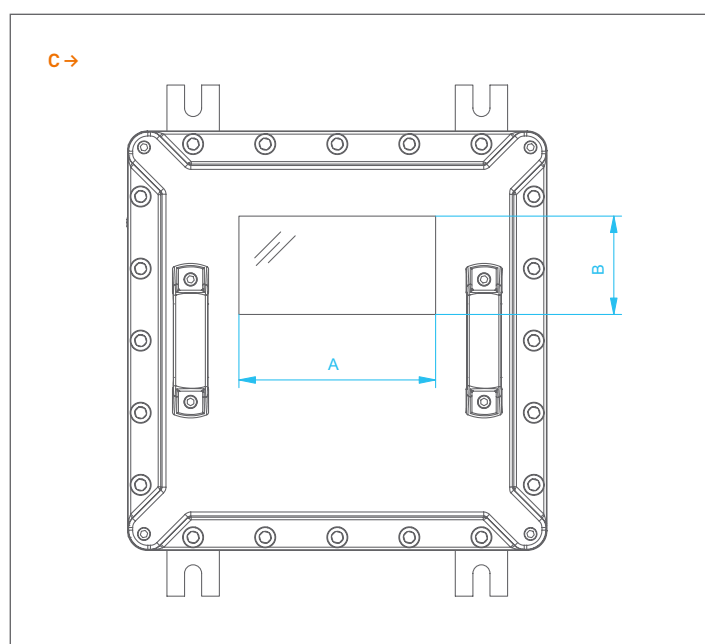
Modular Design



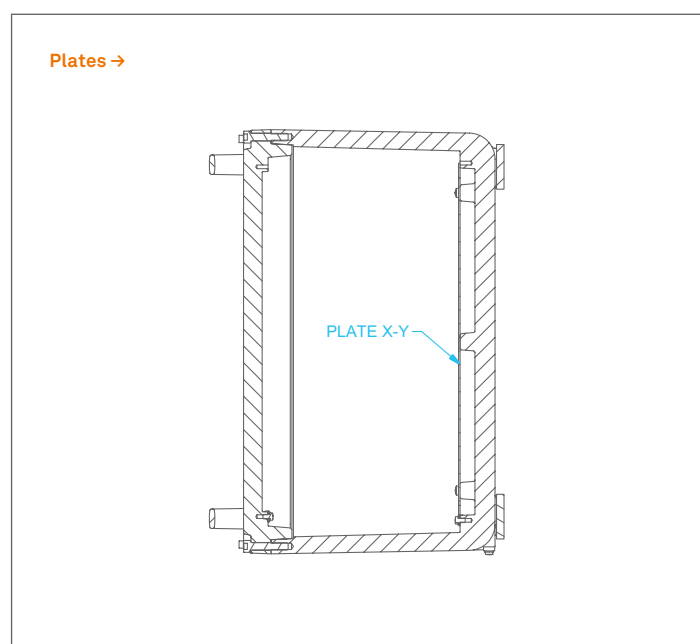
Glass windows on cover

Window code	Window type	Enclosure code							Dimensions		Detail
		EJBM1	EJBM2	EJBM3	EJBM4	EJBM5	EJBM6	EJBM7	A [mm]	B [mm]	
KITFR1ST	FR1	X	X	X	X	-	-	-	48	48	C
KITFR2ST	FR2	X	X	X	X	-	-	-	96	48	C
KITFR3ST	FR3	X	X	X	X	-	-	-	152	48	C
KITFR4ST	FR4	-	X	X	X	-	-	-	200	48	C
KITF1ST	F1	X	X	X	X	-	-	-	60	60	C
KITF2ST	F2	X	X	X	X	-	-	-	75	75	C
KITF3ST	F3	X	X	X	X	-	-	-	110	75	C
KITF4ST	F4	X	X	X	X	-	-	-	150	75	C
KITF5ST	F5	X	X	X	X	-	-	-	150	150	C

Reference details



Reference details



Indicative quantity of terminals and relevant section

Code	SECT. 2,5 [sq/mm]	SECT. 4 [sq/mm]	SECT. 6 [sq/mm]	SECT. 10 [sq/mm]	SECT. 16 [sq/mm]	SECT. 35 [sq/mm]	SECT. 50 [sq/mm]	SECT. 70 [sq/mm]	SECT. 240 [sq/mm]	Int. plate X - Y [mm]
EJBM1	27 x 1	22 x 1	17 x 1	14 x 1	11 x 1	8 x 1	26 x 1	-	-	200 - 200
EJBM2	36 x 1	30 x 1	23 x 1	18 x 1	15 x 1	11 x 1	10 x 1	9 x 1	-	200 - 245
EJBM3	36 x 1	30 x 1	23 x 1	18 x 1	15 x 1	11 x 1	10 x 1	9 x 1	-	245 - 245
EJBM4	36 x 1	30 x 1	23 x 1	18 x 1	15 x 1	11 x 1	10 x 1	9 x 1	-	245 - 245
EJBM5	44 x 3	36 x 3	28 x 3	22 x 3	18 x 3	14 x 3	12 x 2	22 x 1	11 x 1	245 - 480
EJBM6	90 x 3	75 x 3	58 x 3	46 x 3	38 x 3	28 x 3	24 x 2	22 x 2	12 x 1	480 - 480
EJBM7	98 x 3	81 x 3	63 x 3	50 x 3	42 x 3	31 x 3	27 x 2	24 x 2	13 x 1	480 - 570

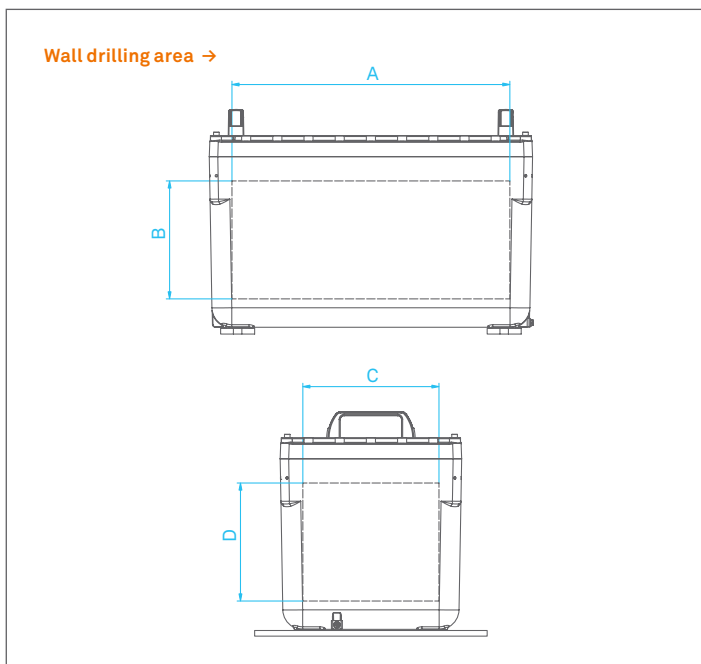
Body and cover enclosures indicative maximum quantity of holes of the same size

Enclosure code	Wall drilling area long side (A-B)									
	Quantity allowed entries for size (from 1 to size 10)									
	1	2	3	4	5	6	7	8	9	10
EJBM1	16	12	9	6	4	4	2	1	1	1
EJBM2	18	12	11	6	6	5	3	2	2	1
EJBM3	18	12	11	6	6	5	3	2	2	1
EJBM4	25	20	14	9	9	6	4	3	3	2
EJBM5	50	43	30	21	18	12	8	6	6	4
EJBM6	48	36	30	21	17	12	8	6	5	3
EJBM7	57	44	34	24	20	14	10	7	6	4

Enclosure code	Wall drilling area short side (C-D)									
	Quantity allowed entries for size (from 1 to size 10)									
	1	2	3	4	5	6	7	8	9	10
EJBM1	16	12	9	6	4	4	2	1	1	1
EJBM2	16	12	9	6	4	4	2	1	1	1
EJBM3	18	12	11	6	6	5	3	2	2	1
EJBM4	25	20	14	9	9	6	4	3	3	2
EJBM5	25	20	14	9	9	6	4	3	3	2
EJBM6	48	36	30	21	17	12	8	6	5	3
EJBM7	48	36	30	21	17	12	8	6	5	3

Body and cover enclosures indicative maximum quantity of holes of the same size

Reference details



Threads comparison table

Size	B1.20.1	ISO 262
0	3/8" NPT	M16
1	1/2" NPT	M20
2	3/4" NPT	M25
3	1" NPT	M32
4	1-1/4" NPT	M40
5	1-1/2" NPT	M50
6	2" NPT	M63
7	2-1/2" NPT	M75
8	3" NPT	M85
9	3-1/2" NPT	M100
10	4" NPT	M115

Max allowed quantity of push button and pilot light

Enclosure code	Cover drilling area (E-F)
	Max operators permitted
EJBM1	16
EJBM2	20
EJBM3	25
EJBM4	25
EJBM5	15
EJBM6	25
EJBM7	30

Reference details

