

# ELL/ELS

## Above Insulation End Seal



- Build size allows up to 120mm of thermal insulation
- On and Off-Pipe (Tankwall) mountable versions
- Including one cold applied end termination kit (CAK)

### ELL End of Line Light

Above insulation end seal kit with integrated green LED indication light. Designed to terminate one BARTEC parallel heating cable. One CAK cold applied connection kit is included in every ELL kit.

### ELL-200

Pipe mountable end seal kit integrating the functions of an insulation entry and end seal kit within an Ex e certified polyester enclosure. Insulation Entry Kits are not required as the mounting stand provides this feature.

### ELL-300

Off-pipe mountable end seal kit, consisting of one CAK silicone cold applied connection and termination kit, a galvanized steel bracket and mounting plate and an Ex e certified polyester enclosure. IEK Insulation Entry Kits must be ordered separately.

### ELS End of Line Seal

Above insulation end seal kit, projecting through the thermal insulation and cladding for easy maintenance. Designed to terminate one BARTEC parallel heating cable. One CAK cold applied end termination kit is included in every ELS kit.

### ELS-200

For self-regulating heating cables - PSB, MSB, HSB, HSB+ and HTSB

### Explosion Protection

Installation Enclosure for self-regulating trace heating for PSB, MSB, HSB+, HTSB

Marking	Ⓜ II 2G Ex db eb 60079-30-1 IIC T6...110°C (T4) Gb Ⓜ II 2D Ex tb 60079-30-1 IIIC T <sub>L</sub> 80...T <sub>L</sub> 110°C Db
---------	---

Certification	DEKRA 21ATEX0118 X IECEX DEK 21.0074X
---------------	--

Self-regulating trace heating system for PSB, MSB

Marking	Ⓜ II 2G Ex db eb 60079-30-1 IIC T6...T3 Gb Ⓜ II 2D Ex tb 60079-30-1 IIIC T <sub>L</sub> 80...T <sub>L</sub> 170°C Db
---------	---

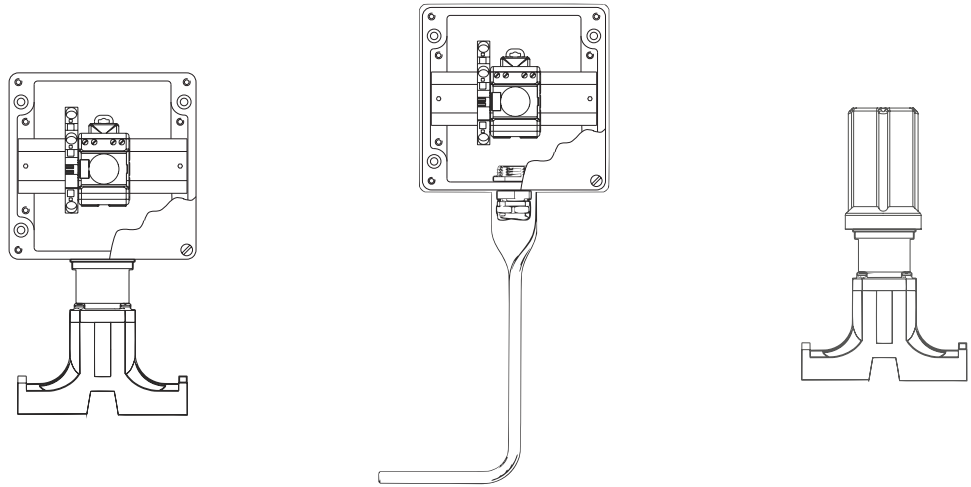
Certification	DEKRA 20ATEX0093 X IECEX DEK 20.0055 X
---------------	---

Other approvals and certificates, see [www.bartec.com](http://www.bartec.com)

### Technical Data

Junction box with mounting stand	
Ambient temperature	ELL: -55 °C bis +40 °C ELS: -55 °C bis +55 °C
Min. installation temperatur	-55°C
Max. workpiece temperature mounting stand	+240°C
Power supply	max. 277 V
Max. circuit breaker size	32 A
Ingress Protection	IP66
Connection Technology CAK	
Max. withstand temperature / max. Service temperature end seal	+200°C
Min. installation temperatur	-60°C
Material	
Enclosure	Polyester, glass fibre reinforced Aluminium/Stainless steel on request
Stand	PPS, glass fibre reinforced
CAK Material	Silicone

**Ordering information**



	ELL-200	ELL-300	ELS-200
Kit contents	1 junction box with ComEx light (green) 1 stand assembly 1 cold applied boot and RTV 1 green/yellow tube 2 cable grommets	1 junction box with ComEx light (green) 1 plate and stand assembly 1 cold applied boot and RTV 1 green/yellow tube 1 cable gland with grommet	1 stand assembly 1 end seal and RTV 2 cable grommets
Compatible cable series	PSB, MSB, HSB, HSB+, HTSB	PSB, MSB, HSB, for HSB+, HTSB, please add one CAK-SRG-B to each kit	PSB, MSB, HSB, HSB+, HTSB
Box size	122 x 120 x 90 mm	122 x 120 x 90 mm	Ø 45 mm x 100 mm
Heating cable entry	1 x grommet	1 x M20 gland	1 x grommet
Box support	Integrated PPS Mounting Stand	Mounting Plate & Bracket, galv. steel	Integrated PPS Mounting Stand
Terminals	Ex e, 1 phase, 1 neutral, 1 ground	Ex e, 1 phase, 1 neutral, 1 ground	-
Order Codes	27-54E2-4212F010	27-54E2-4211F010	27-54E2-AA12A000