

PLEXO TCS the plug-in connection system for PSB and MSB heating cables and systems



- Quick and easy installation, with standard tools
- Component of the PSB and MSB system approval
- Own system approval with PSB and MSB heating cable

The PLEXO TCS connection system can be used for BARTEC self-regulating heating cables. The PLEXO TCS may be used both as an autonomous system with the heating cable or as part of the PSB and MSB system. This modular connection technology enables the simple and reliable assembly of supply connections, splicing and remote-end terminations. PLEXO TCS is plugged and built up with a patented sealing and clamping technology. Maintenance work and later modifications on the heating circuit can be performed quickly and flexibly. The strands from the heating cable or the supply cable are fixed in place securely using the spring-loaded terminals in the internal clamping technology.

Explosion protection

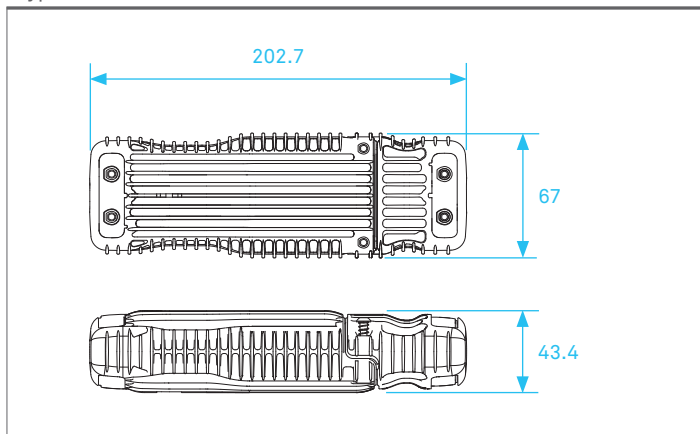
Marking PLEXO TCS with Heating cable PSB	II 2G Ex eb 60079-30-1, IIC T5, T6 Gb II 2D Ex tb 60079-30-1, IIIC T95°C, T80°C Db
Marking PLEXO TCS with Heating cable MSB	II 2G Ex eb 60079-30-1, IIC T6... T3 G II 2D Ex tb 60079-30-1, IIIC T80°C... T170°C Db
Certification PLEXO TCS with heating cables	BVS 13 ATEX E 040 X IECEx BVS 13.0048X
Please refer to the system chapter for the respective system approval. Other approvals, see bartec.com	

Technical data

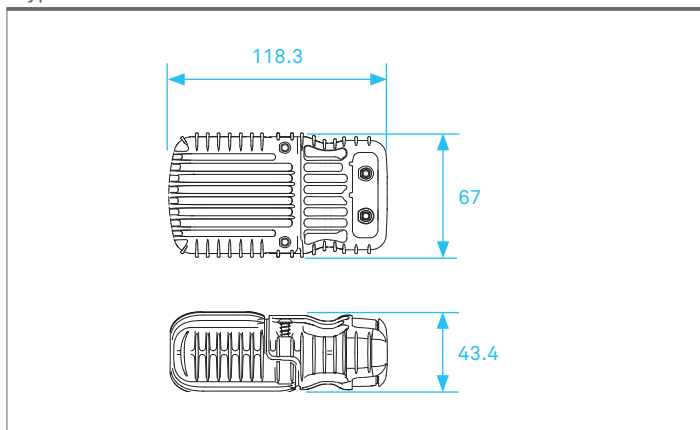
Rated voltage	max. 254 V
Rated current	PSB/MSB max. 32 A
Protection class	EN 60079-0, IP 65 EN 60529, IP 66/IP 68
Operating temperature range	Ex application -60 °C to +160 °C Non Ex application -60 °C to +160 °C
Rated cross-section of supply cable	max. 4 mm ²
Min. installation temperature	-55 °C
Sealing range supply cable	see ordering information

Dimensions (in mm)

Type 27-59P1-*010 and 27-59P2-0110

**Dimensions (in mm)**

Type 27-59P3-0010

**Ordering information**

Heating cable connection to supply cable with sealing range	
$9 < D_A \leq 10$ mm	27-59P1-1010
$10 < D_A \leq 12$ mm	27-59P1-2010
$12 < D_A \leq 14$ mm	27-59P1-3010
$14 < D_A \leq 16$ mm	27-59P1-4010
Heating cable splice with sealing range for PSB and MSB	27-59P2-0110
Heating cable remote-end termination with sealing range for PSB and MSB	27-59P3-0010
Connection cable	
Heat-resistant connection cable with silicone outer sheath (H05SS-F quality, EWKF outer sheath, -50 °C to +180 °C)	
Cross-section 3×2.5 mm ² , $D_A = 9.8$ mm	02-4034-0027
Mounting bracket	05-0105-0385

Using the optional mounting bracket and spacer, the PLEXO TCS can be installed outside insulation up to an insulation thickness of 70 mm.

BARTEC GmbH

Max-Eyth-Str. 16
97980 Bad Mergentheim
Germany

Tel.: +49 7931 597-0
Mail: info@bartec.com
Web: bartec.com