

# Digital purging gas valve

## Datasheet



**The digital purging gas valve activated by the APEX controller conducts the supplied purging gas into the Ex px control cabinet.**

During the purging phase the purging gas valve opens far enough to allow the max. purging gas pressure to be reached and ensure purging pressure in the encapsulated control cabinet. After the purging phase the purging gas valve closes. The leakage from the Ex px control cabinet is compensated by integrated adjustable leakage air needle valve.

## Explosion protection

Ex protection type ATEX	Ⓜ II 2G Ex mb IIC T4 Gb
Certification	EPS 18 ATEX 1232 X
Ex protection type IECEx	Ex mb IIC T4 Gb
Certification	IECEX EPS 18.0110X
Approved for	Zones 1 and 2
Ambient temperature	-40 °C to +55 °C
	Other approvals and certificates on request.

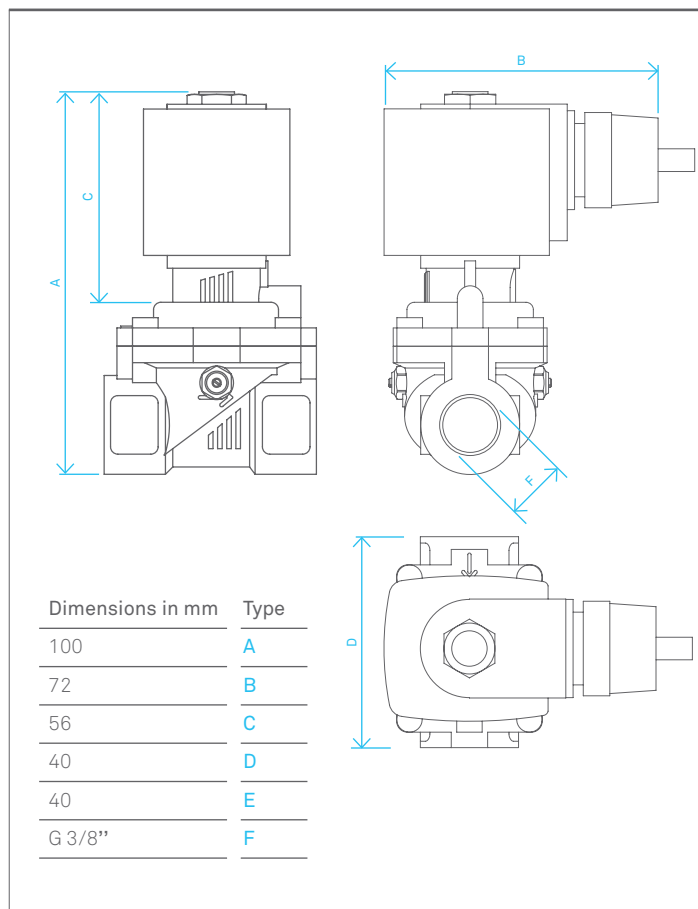
## Technical Data

Adjusting elements	Adjustment screw to set the quantity of leakage air
Supply voltage	AC 230 V/9 W/50 to 60 Hz AC 115 V/9 W/50 to 60 Hz DC 24 V/9 W
Voltage tolerance	± 10 %
Pressure range	0 to 16 bar
Connection	3m cable
Valve connection	G 3/8"
Nominal diameter	13 mm
Max. Ex px control cabinet capacity	2.000 litres
Weight	approx. 1.2 kg
Protection class	IP 65
Assembly	Inside Ex pz operating equipment
Scope of supply	Valve 2 x purging air nozzle, without boreholes

## Purging air nozzle

Ex px control cabinet capacity	Recommended purging air nozzle	Recommended orifice APEX controller
< 50 litres	Ø 2.8 mm	12 mm
≤ 50 litres < 300 litres	Ø 3.9 mm	15 mm
≥ 300 > 700 litres	Ø 4.5 mm	18 mm
≥ 1000 litres	Ø 5.5 mm	2 x 18 mm

## Dimensions



## Ordering information

0 5 - 0 0 5 6 - 0 0 **A A**

AA      71 – AC 230 V  
           72 – AC 110 V  
           73 – DC 24 V

Complete order no. Please insert correct code.