

Cable gland

for Zone 1 and Zone 21



The cable gland made of polyamide is used for inserting permanent cables and leads into electrical equipment with the increased safety “e” type of explosion protection. The cable glands conform to the protection class IP 66/68.

For intrinsically safe circuits the cable entries are available with a blue cap nut. When this cable gland is used, the instructions given in the type examination certificate/operating instructions must be observed.

- Zones 1/21 and 2/22
- IP66/IP68
- Ex “e” or Ex “I”

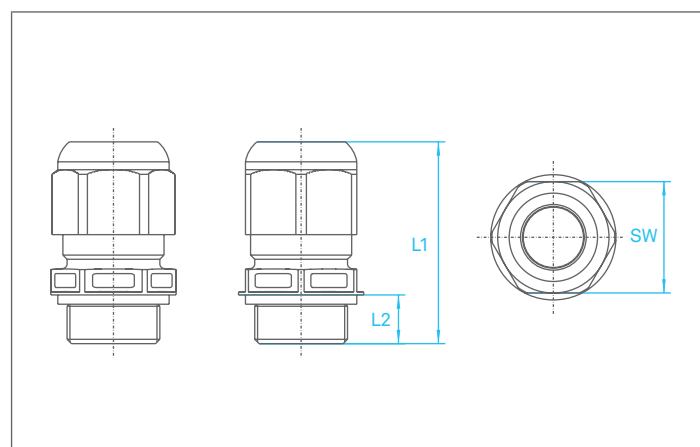
Explosion protection

Marking ATEX	Ⓜ II 2G Ex e II C Ⓜ II 2D Ex tb IIIC Db IP 68 PTB 13 ATEX 1015 X
Certification	PTB 13 ATEX 1015 X
Marking IECEx	Ex e II C Ex tb IIIC Db IP 68
Certification	IECEX PTB 13.0034 X
Operating temperature	-40 °C to +75 °C

Technical data

Material	Polyamid, self-extinguishing
Seals	EPDM
Colour	RAL 9005, black RAL 5015, blue
Protection class	IP 66/IP 68 (EN/IEC 60529)

Dimensions



Ordering information Cable gland Ex e, black

Thread size	Cable range (Ø)	Across flat (AF)	Thread length (L2)	Length in mm (L1)	Unit	Order no.
M16 x 1.5	4.5 - 9	20	9	31 - 37	50	03-6062-0126
M20 x 1.5	7 - 13	24	10	36 - 45	50	03-6062-0127
M25 x 1.5	7 - 17	29	10	38 - 47	50	03-6062-0128
M25 x 1.5	10 - 17	29	10	38 - 47	50	03-6062-0136
M32 x 1.5	13 - 21	36	12	42 - 51	25	03-6062-0129
M40 x 1.5	17 - 28	46	12	52 - 65	10	03-6062-0130
M50 x 1.5	23 - 35	55	14	59 - 72	5	03-6062-0125
M63 x 1.5	31 - 48	68	15	64 - 78	1	03-6062-0131

Cable glands Ex e black, with long connection thread on request.

Ordering information Cable gland Ex i, with blue cap nut

Thread size	Cable range (Ø)	Across flat (AF)	Thread length (L2)	Length in mm (L1)	Unit	Order no.
M16 x 1.5	4.5 - 9	20	9	31 - 37	50	03-6065-0066
M20 x 1.5	7 - 13	24	10	36 - 45	50	03-6065-0067
M25 x 1.5	7 - 17	29	10	38 - 47	50	03-6065-0068
M25 x 1.5	10 - 17	29	10	38 - 47	50	03-6065-0073
M32 x 1.5	13 - 21	36	12	42 - 51	25	03-6065-0069
M40 x 1.5	17 - 28	46	12	52 - 65	10	03-6065-0070
M50 x 1.5	23 - 35	55	14	59 - 72	5	03-6065-0071
M63 x 1.5	31 - 48	68	15	64 - 78	1	03-6065-0072