

ESI Enclosure

Ex e Stainless Steel enclosure for Zone 1/2/21/22



BARTEC ESI empty enclosures are designed and approved for Zone 1 and 2 as well as Zone 21 and 22. They are particularly suitable for applications under extreme environmental conditions, and they provide reliable protection under heavy loads.

The housings are made of 1.4301 (V2 A) or 1.4404 stainless steel (V4 A). The series includes empty housings and distribution boxes with door or cover. From a housing height of 120 mm, the housings can be supplied with or without flange plates. In addition to 25 standard sizes, approved customer-specific design variants are also available.

- Zones 1/21 und 2/22
- Extremely robust
- Fully bolted or hinged



Explosion protection

Marking acc. to EN 60079-0	⊕ II 2G Ex eb IIC Gb ⊕ II 2D Ex tb IIIC Gb
Certification	IBExU99ATEX1118 U IECEXiBE09.0016 U
Other approvals and certificates, see bartec.com	
Ambient temperature range	-40 °C to +100 °C

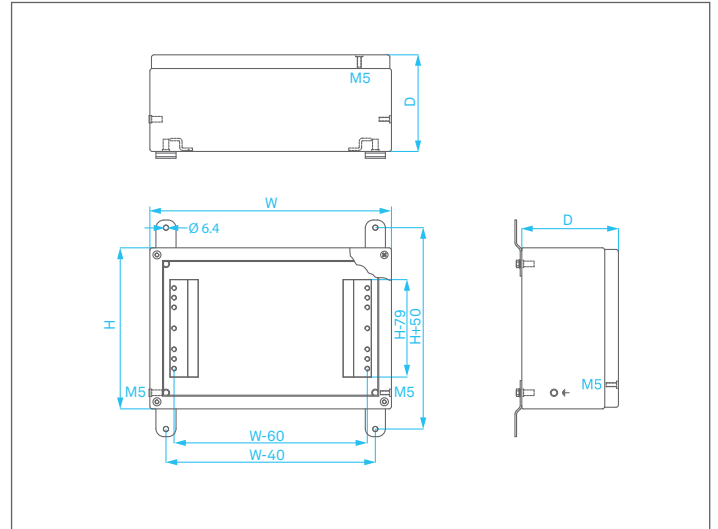
Technical data

Material	1.4404, AISI 316 L high quality stainless steel optional 1.4301, AISI 304 high quality stainless steel
Surface	brushed, painted or electro polished on request
Standard seals	Silicone: -40 °C to +100 °C EPDM: -20 °C to +100 °C RAKU PUR (type 07-55): -40 °C to +80 °C
Mechanical strength	Impact energy 7 Nm
Version	with or without gland plates
Standard sizes	see selection chart
Protection class	max. IP 66 EN/IEC 60529

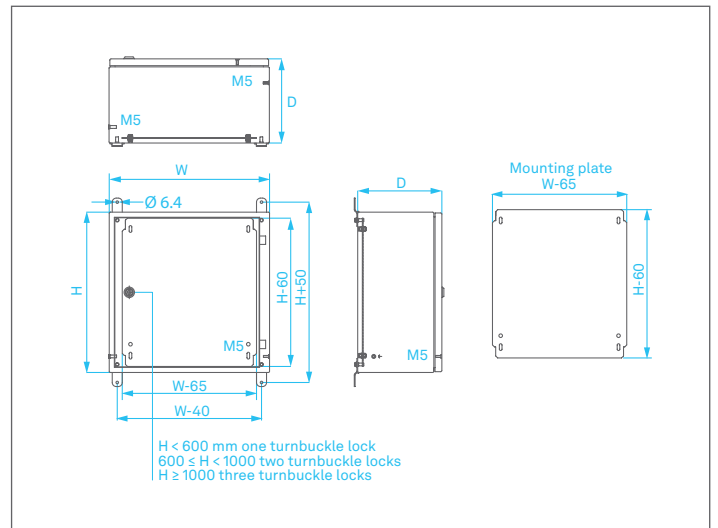
Scope of delivery

The scope of delivery includes wall attachment straps, internal and external PE connection, as well as internal Z brackets with fixing points for enclosures with lid and internal mounting plate for enclosure with hinged door.

Enclosure with cover dimensions



Enclosure with hinged door dimensions



Ordering information

Design	Code no.	Enclosure with lid * (w x h x d)	Code no.	Enclosure with hinged door * (w x h x d)	Code no.	Flanges Side A, B, (E)	Code no.	Flanges Side C, D, (E)	Code no.
304		100 x 100 x 60 mm	17	200 x 300 x 155 mm	51	without	1	without	1
Enclosure with screwed lid	A	150 x 150 x 80 mm	01						
Enclosure with hinged door	C	400 x 150 x 80 mm	10	380 x 300 x 155 mm	54	Face A	2	Face C	2
316 L		200 x 200 x 80 mm	03	300 x 380 x 210 mm	52	Face B	3	Face D	3
Enclosure with screwed lid	B	300 x 200 x 80 mm	22						
Enclosure with hinged door	D	150 x 150 x 100 mm	02	400 x 400 x 210 mm	57	Face A + B	4	Face C + D	4
		200 x 200 x 120 mm	04	400 x 600 x 210 mm	58	Face E + A	5	Face E + C	5
		300 x 200 x 120 mm	06	600 x 600 x 210 mm	59	Face E + B	6	Face E + D	6
		400 x 200 x 120 mm	11	600 x 760 x 210 mm	60	Face E + A + B	7	Face E + D + C	7
		600 x 200 x 120 mm	25	600 x 800 x 300 mm	61	Face E	8		
		300 x 300 x 120 mm	07	800 x 800 x 300 mm	62				
		300 x 300 x 160 mm	08	800 x 1000 x 300 mm	63				
		380 x 380 x 160 mm	26						
		400 x 200 x 160 mm	12						
		400 x 400 x 160 mm	14						
		500 x 400 x 160 mm	15						



0 7 - 5 6 * 1 - * * * *

Complete order no.

Example: Ex e distribution box with hinged door
 Dimensions: 400 x 400 x 210 mm with gland plates on face B + C + D

Type 07-56D2-5734

* Enclosure with lid For additional 2-digit code of enclosure size please contact
 * Enclosure with hinged door BARTEC representative.