

ComEx illuminated push button module

for panel- and railmounted installation



The ComEx illuminated push button module is used in almost all hazardous (potentially explosive) areas where machine functions are activated by pressing a button and the corresponding status is to be indicated visually.

The ComEx illuminated push button module is flexible and available in different colours (red, green, yellow, white and blue). The connecting cable is connected to the ComEx illuminated push button module via screw terminals. The ComEx illuminated push button module offer the option of simple and fast mounting on a rail- or a panel mounted installation per direct mounting to the ComEx actuator. The ComEx illuminated push button modules are developed and certified for globally market.

- Easy installation
- Certified for zone 1 and 21
- operating temperature
 - 55 °C to +85 °C (-67 °F to +185 °F)
- Intensive illumination by colored LED



Explosion protection

Notified Body Number	C€ 0044
Approved Body Number	2503
ATEX/UKEX Ex protection type	Ⓜ II 2G Ex db eb IIC Gb Ⓜ I M2 Ex db eb I Mb
ATEX/UKEX certificate number	CML 22 ATEX 1135 U CML 22 UKEX 1136 U
IECEX Ex protection type	Ex db eb IIC Gb Ex db eb I Mb
IECEX certificate number	IECEX CML 22.0014 U
CEC (UL Mark)	Ex db eb IIC Gb Class I, Division 2, Groups A, B, C, D
NEC (UL Mark)	Class I, Zone 1, AEx db eb IIC Gb Class I, Division 2, Groups A, B, C, D
UL certificate number	UL E184198
Service temperature	-55 °C to +85 °C (-67 °F to +185 °F)

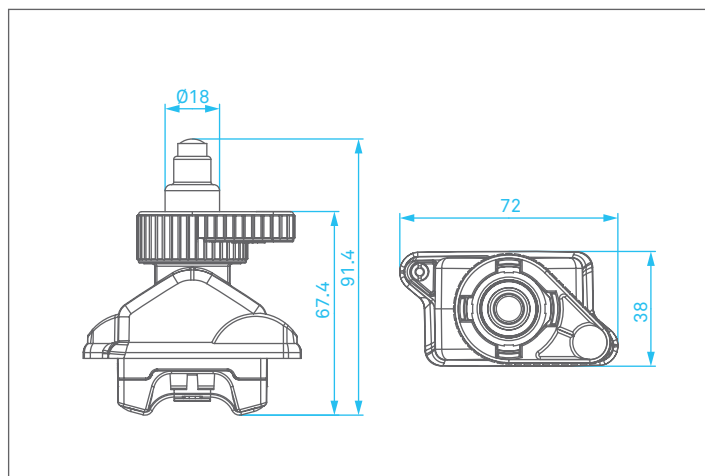
For further approvals and certificates, see www.bartec.com

Technical data

Max. ambient temperature only with protection by flameproof enclosure "d"	+85 °C (+185 °F)
Degree of protection	IP20 acc. to EN 60529
Rated insulation voltage	300 V
Working voltage	250 V
Voltage range	AC/DC 12...230 V
Power consumption	< 1 W
Lamp	LED (red, green, yellow, white, blue)
Illumination	very bright, visible angle over 180°
Contacts	1 N/C or 1 N/O as snap switch element AC-15 1 A/230 V DC-13 0.25 A/24 V
Enclosure material	thermoplastic
Connection	0.75 mm ² - 2.5 mm ² /18 AWG - 12 AWG
Electrical life	10 ⁵ running hours
Mechanical life	10 ⁵ switching cycles
Storage and transport temperature	-55 °C to +85 °C (-67 °F to +185 °F)
Weight	Panelmounted approx. 110 g Railmounted approx. 110 g
Mounting	Panelmounted (locked to signal device actuators 07-3400-T* by bayonet catch) Railmounted (latched on mounting rail NS 35 x 7.5)
Shock resistance	DIN EN 60068-2-27, 30 g 18 ms

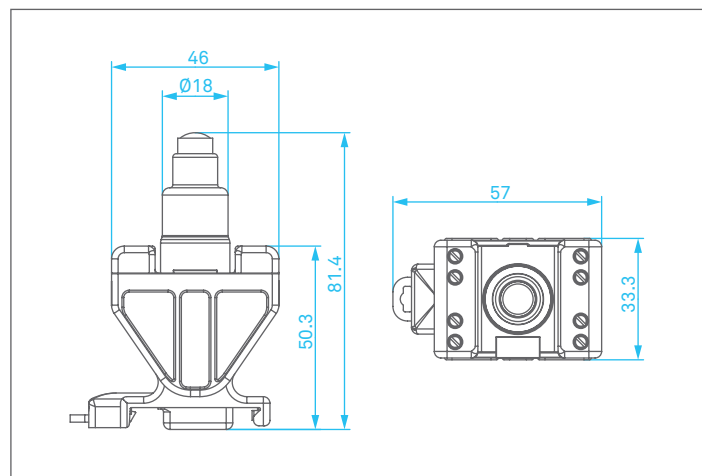
Dimensions in mm

ComEx illuminated push button module for panelmounted
07-3364-4*



Dimensions in mm

ComEx illuminated push button module for railmounted
07-3362-1*



Ordering information

Type of contact	A	Colour LED	B	Colour actuator	C
1 NC 	7	red	1	red	R
		green	2	green	G
		white	4	yellow	Y
1 NO 	8	white	4	white	W
		blue	5	blue	B

Complete order no.

ComEx illuminated push button module for panelmounted
without actuating element

0 7 - 3 3 6 4 - 4 A B 0

ComEx illuminated push button module for railmounted
without actuating element

0 7 - 3 3 6 2 - 1 A B 0

Actuating element

Standard

0 7 - 3 4 0 0 - T C 0 0

Please enter code number.