

# ComEx control and indicating station

Type 07-352\*-\*\*\*\*\*



ComEx global control and indicating station, is a flexible system that offers both standardized and also customized local control and indicating stations. It is suitable for use in almost all potentially explosive areas.

The standard enclosures, single, double and triple can be equipped with various actuators and modules. Combinations of a maximum of 2 ComEx devices are possible. The ComEx control and indicating station are developed and certified for globally market.

- Easy installation
- Certified for zone 1 and 21
- Globally certified
- High IP rating up to IP67 and NEMA 4X



**Explosion protection**

Notified Body Number	CE0044
Approved Body Number	2503
ATEX/UKEX Ex protection type	II 2G Ex db eb IIC T6 Gb II 2G Ex db ia IIC T6 Gb II 2D Ex tb IIIC T80 °C Db
ATEX/UKEX certificate number	CML 21ATEX31165X CML 22UKEX3259X
IECEX Ex protection type	db eb IIC T6 Gb db ia IIC T6 Gb tb IIIC T80°C Db
IECEX certificate number	IECEX CML 21.0132X
CEC (UL Mark)	Ex db eb IIC Gb Ex db ia IIC T6 Gb Ex tb IIC T80 °C Db Class I, Division 2, Groups A, B, C, D Class II, Division 2, Groups F, G Class III, Division 2, T6, T80 °C
NEC (UL Mark)	Class I, Zone 1, AEx db eb IIC T6 Gb Class I, Zone 1, AEx db ia IIC T6 Gb Zone 21, AEx tb IIIC T80 °C Db
UL certificate number	UL E184198
Ambient temperature	see Specific Condition of Use
Service temperatur	- enclosure, modules: -55 °C to +85 °C - actuators: -55 °C to +70 °C - cable gland: -55 °C to +70 °C or +75°C
Product printing	Standard: ATEX,UKEX, IECEx and UL marking. Other markings on request. Please specify in plain text.

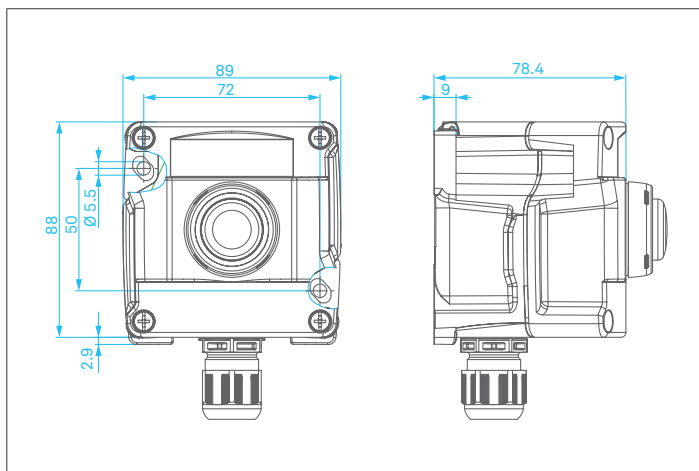
For further approvals and certificates, see [bartec.com](http://bartec.com)

**Technical data**

Degree of protection	Up to IP67 acc. to EN 60529 and NEMA 4X
Rated torque for screws	- module terminals 0.4 - 0.7 Nm - PE-carrier 0.4 - 0.7 Nm - earthing plate 0.4 - 0.7 Nm - conduit adaptor 0.4 - 0.7 Nm
Connection	0.75 mm <sup>2</sup> - 2.5 mm <sup>2</sup> /18 AWG - 12 AWG
Enclosure	GRP
Altitude	up to 2000 m

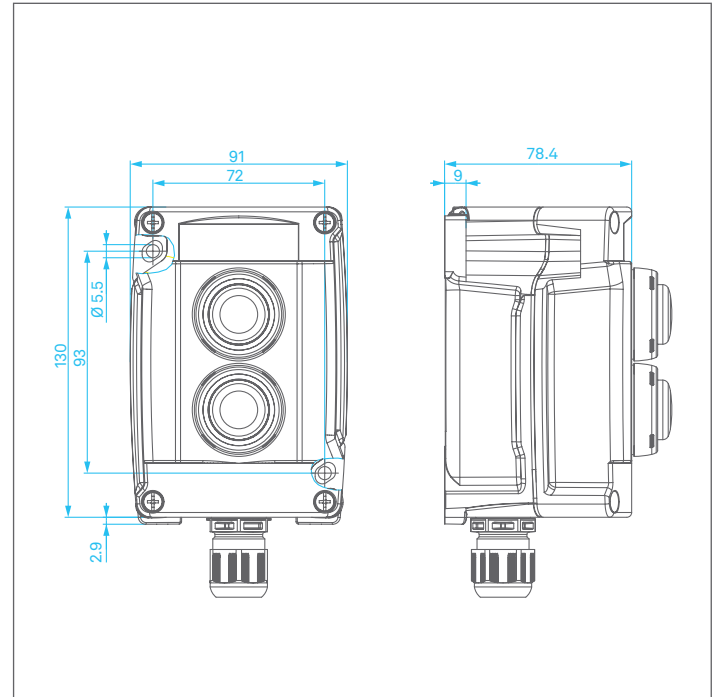
**Dimensions in mm**

Control unit, single Type 07-3521-....



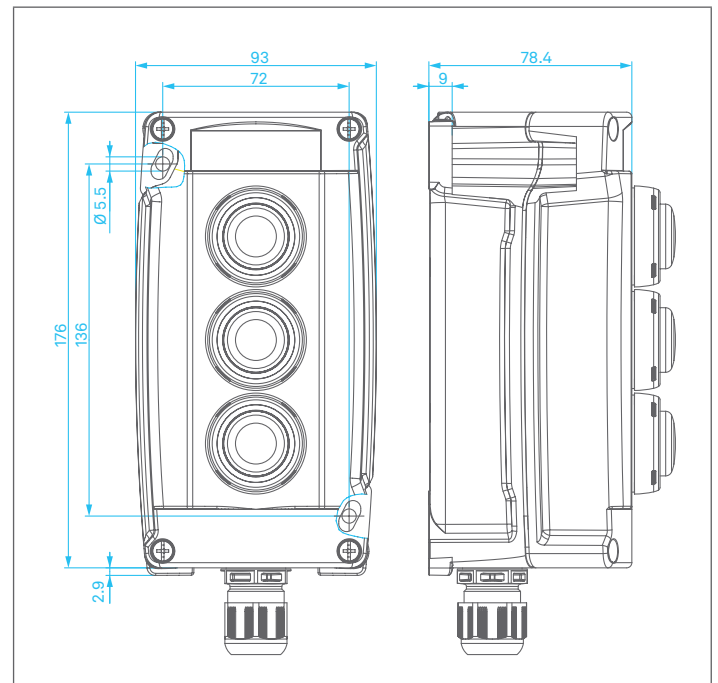
**Dimensions in mm**

Control unit, double Type 07-3522-....



**Dimensions in mm**

Control unit, triple Type 07-3523-....



## Switch module with actuator (1 slot)

### ACTUATOR



**A\*** Push button



**C\*** Double push button



**N\*** Emergency stop pull to release



**P1** Mushroom push button



**S\*** Selector switch



**R\*** Emergency twist to release



**E\*** Key selector switch

### SWITCH MODULE



1 slot



<b>DD</b>	<p>Actuator:</p> <ul style="list-style-type: none"> <li><b>A1</b> – push button, universal with 4 labels (red, green, white and black)</li> <li><b>A2</b> – push button, green, “START”</li> <li><b>A3</b> – push button, red, “STOP”</li> <li><b>A4</b> – push button, green, “I”</li> <li><b>A5</b> – push button, red, “O”</li> <li><b>A6</b> – push button, green, “ON”</li> <li><b>A7</b> – push button, red, “OFF”</li> <li><b>A9</b> – push button, custom made to order</li> <li><b>C1</b> – double push button, universal with 4 labels (red, green, white and black)</li> <li><b>C2</b> – double push button, green “START” and red “STOP”</li> <li><b>C3</b> – double push button, green “ON” and red “OFF”</li> <li><b>C9</b> – double push button, custom made to order</li> <li><b>E0</b> – key-operated switch, 0-I latching, both pos. key withdrawable</li> <li><b>E1</b> – key-operated switch, 0-I momentary, pos. 0 key withdrawable</li> <li><b>E2</b> – key-operated switch I-0-II latching, both pos. key withdrawable</li> <li><b>E3</b> – key-operated switch I-0-II momentary, pos. 0 key withdrawable</li> <li><b>E4</b> – key-operated switch I-0-II latching, pos. 0 key withdrawable</li> <li><b>E5</b> – key-operated switch 0-I latching, pos. 0 key withdrawable</li> <li><b>N1</b> – Emergency stop pull to release, without labelling, with shroud</li> <li><b>N5</b> – Emergency stop pull to release, with labelling</li> <li><b>N6</b> – Emergency stop pull to release, with labelling, with shroud</li> <li><b>N8</b> – Emergency stop pull to release, without labelling</li> <li><b>R1</b> – Emergency stop twist to release, without labelling, with shroud</li> <li><b>R5</b> – Emergency stop twist to release, with labelling</li> <li><b>R6</b> – Emergency stop twist to release, with labelling, with shroud</li> <li><b>R8</b> – Emergency stop twist to release, without labelling</li> <li><b>P1</b> – mushroom push button</li> <li><b>S0</b> – selector switch, I-0-II latching</li> <li><b>S1</b> – selector switch, I-0-II momentary</li> <li><b>S2</b> – selector switch, I-0-II, I-latching II-momentary</li> <li><b>S3</b> – selector switch, I-0-II, I-momentary II-latching</li> <li><b>S8</b> – selector switch, 0-I momentary</li> <li><b>S9</b> – selector switch, 0-I latching</li> </ul>
<b>E</b>	<ul style="list-style-type: none"> <li><b>1</b> – switch module 2 NC, silver contact</li> <li><b>2</b> – switch module 2 NO, silver contact</li> <li><b>4</b> – switch module 1NO / 1NC, silver contact</li> <li><b>5</b> – switch module 2 NC, silver contact with gold coating</li> <li><b>6</b> – switch module 2 NO, silver contact with gold coating</li> <li><b>7</b> – switch module 1NO / 1NC, silver contact with gold coating</li> </ul>

## Pilot light with illuminated indicator module (1 slot)

PILOT LIGHT



ILLUMINATED INDICATOR MODULE



1 slot



<b>DD</b>	Pilot light: <b>LR</b> – red <b>LG</b> – green <b>LY</b> – yellow *HINT Combination Illuminated indicator module white + Pilot light yellow <b>LW</b> – white <b>LB</b> – blue
<b>E</b>	Illuminated indicator module: <b>R</b> – red <b>G</b> – green <b>Y</b> – yellow *HINT Combination Illuminated indicator module white + Pilot light yellow <b>W</b> – white <b>B</b> – blue

# Illuminated push button with illuminated push button module (1slot)

**ILLUMINATED PUSH BUTTON**



**ILLUMINATED PUSH BUTTON MODULE**



1 slot



<b>DD</b>	Illuminated push button: <b>TR</b> – red <b>TG</b> – green <b>TY</b> – yellow *HINT Combination Illuminated pushbutton module white + Illuminated pushbutton yellow <b>TW</b> – white <b>TB</b> – blue
<b>E</b>	Illuminated push button module: <b>B</b> – 1 NO <b>A</b> – 1 NC

# Potentiometer with potentiometer module (1 slot)

POTENTIOMETER



POTENTIOMETER MODULE



1 slot



<b>DD</b>	<b>DD</b> – Potentiometer scala 1-10 (installation only in Exe enclosure)
<b>E</b>	Potentiometer module: <span style="color: blue;">4</span> – 1 kΩ <span style="color: blue;">7</span> – 10 kΩ

## 4-pole switch module with actuator (2 slots)

### ACTUATOR



**N\*** Emergency stop pull to release



**A\*** Push button



**P1** Mushroom push button



**S\*** Selector switch

### 4-POLE SWITCH MODULE



– min. 2 gang ComEx enclosure

2 slots



<b>FFF</b>	<p>Actuator:</p> <ul style="list-style-type: none"> <li><b>A10</b> – push button, universal with 4 labels (red, green, white and black)</li> <li><b>A20</b> – push button, green, “START”</li> <li><b>A30</b> – push button, red, “STOP”</li> <li><b>A40</b> – push button, green, “I”</li> <li><b>A50</b> – push button, red, “O”</li> <li><b>A60</b> – push button, green, “ON”</li> <li><b>A70</b> – push button, red, “OFF”</li> <li><b>A90</b> – push button, custom made to order</li> <li><b>N10</b> – Emergency stop pull to release, without labelling, with shroud</li> <li><b>N50</b> – Emergency stop pull to release, with labelling</li> <li><b>N60</b> – Emergency stop pull to release, with labelling, with shroud</li> <li><b>N80</b> – Emergency stop pull to release, without labelling</li> <li><b>P10</b> – mushroom push button</li> <li><b>S80</b> – selector switch, O-I momentary</li> <li><b>S90</b> – selector switch, O-I latching</li> </ul>
------------	--

<b>HHH</b>	<p>4-pole switch module:</p> <ul style="list-style-type: none"> <li><b>V01</b> – switch 4-pol, 4 NC, silver contact</li> <li><b>V02</b> – switch 4-pol, 3 NC / 1 NO, silver contact</li> <li><b>V03</b> – switch 4-pol, 2 NC / 2 NO, silver contact</li> <li><b>V04</b> – switch 4-pol, 4 NO, silver contact</li> <li><b>V05</b> – switch 4-pol, 1 NC / 3 NO, silver contact</li> <li><b>V11</b> – switch 4-pol, 4 NC, silver contact with gold coating</li> <li><b>V12</b> – switch 4-pol, 3 NC / 1 NO, silver contact with gold coating</li> <li><b>V13</b> – switch 4-pol, 2 NC / 2 NO, silver contact with gold coating</li> <li><b>V14</b> – switch 4-pol, 4 NO, silver contact with gold coating</li> <li><b>V15</b> – switch 4-pol, 1 NC / 3 NO, silver contact with gold coating</li> </ul>
------------	---



## Control switch module with actuator (2 slots)

### ACTUATOR



**GB\*** Selector switch large black



**GR\*** Selector switch large red-yellow

### CONTROL SWITCH MODULE



– min. 2 gang ComEx enclosure

2 slots



<b>FF</b>	Actuator: <b>GB</b> – selector switch large black <b>GR</b> – selector switch large red-yellow
<b>G</b>	<ul style="list-style-type: none"> <li>1 – 0-I</li> <li>2 – I-II</li> <li>3 – I-O-II</li> <li>4 – 0-I-II</li> <li>5 – 0-I-II-III</li> <li>6 – 0-I-II-III-IV</li> <li>7 – HAND-O-AUTO</li> <li>8 – OFF-ON</li> <li>9 – labelling by template</li> </ul>

<b>HHH</b>	4-pole Control switch: <ul style="list-style-type: none"> <li><b>A01</b> – control switch 2 Pos. 4NO latching</li> <li><b>A02</b> – control switch 2 Pos. 2NC / 2NO latching</li> <li><b>A03</b> – control switch 2 Pos. 1NC / 3NO latching</li> <li><b>A04</b> – control switch 2 Pos. 3NC / 1NO latching</li> <li><b>C06</b> – control switch 3 Pos. 2NO left latching / 2NO right latching</li> <li><b>C07</b> – control switch 3 Pos. 2NC latching / 2NO latching</li> <li><b>C11</b> – control switch 3 Pos. 1NC / 3NO latching</li> <li><b>E04</b> – control switch 3 Pos. 1NC / 3NO right spring return</li> <li><b>E08</b> – control switch 3 Pos. 1NC, 1NO latching / 2NO right spring return</li> <li><b>E09</b> – control switch 3 Pos. 2NO left latching / 2NO right latching</li> <li><b>E10</b> – control switch 3 Pos. 4NO right spring return</li> <li><b>H05</b> – control switch 4 Pos. 1NC / 3NO subsequently latching</li> <li><b>J02</b> – control switch 4 Pos. 1NC / 3NO latching and right spring return</li> <li><b>L01</b> – control switch 5 Pos. 4NO subsequently latching</li> <li><b>N01</b> – main switch 2 Pos. 4NO latching</li> <li><b>N02</b> – main switch 2 Pos. 3NO / 1NC latching</li> </ul>
------------	---

\* additional combinations on request

# 4-pole/ 2-pole switch module with actuator (2 slots)

## ACTUATOR



**F\*** Selector switch large black



**F\*** Selector switch large red-yellow

## 4-POLE SWITCH MODULE



2-POLE SWITCH MODULE



– min. 2 gang ComEx enclosure

2 slots



<b>FF</b>	Actuator:
<b>F0</b>	Selector switch large black, I-O-II latching
<b>F1</b>	Selector switch large black, I-O-II momentary
<b>F2</b>	Selector switch large black, I-O-II, I-latching II-momentary
<b>F3</b>	Selector switch large black, I-O-II, I-momentary II-latching
<b>F4</b>	Selector switch large black, O-I latching
<b>F5</b>	Selector switch large red-yellow, I-O-II latching
<b>F6</b>	Selector switch large red-yellow, I-O-II momentary
<b>F7</b>	Selector switch large red-yellow, I-O-II, I-latching II-momentary
<b>F8</b>	Selector switch large red-yellow, I-O-II, I-momentary II-latching
<b>F9</b>	Selector switch large red-yellow, O-I latching
<b>G</b>	0 – O-I 1 – I-II 2 – I-O-II 3 – HAND-O-AUTO 4 – MAN-O-AUTO 9 – labelling by template

<b>HHH</b>	2-pole switch module:
<b>100</b>	switch 2-pol. 2NC, silver contact
<b>200</b>	switch 2-pol. 2NO, silver contact
<b>400</b>	switch 2-pol. 1NC / 1NO, silver contact
<b>500</b>	switch 2-pol. 2NC, silver contact with gold coating
<b>600</b>	switch 2-pol. 2NO, silver contact with gold coating
<b>700</b>	switch 2-pol. 1NC / 1NO, silver contact with gold coating
	4-pole switch module:
<b>V01</b>	switch 4-pol, 4 NC, silver contact
<b>V02</b>	switch 4-pol, 3 NC / 1 NO, silver contact
<b>V03</b>	switch 4-pol, 2 NC / 2 NO, silver contact
<b>V04</b>	switch 4-pol, 4 NO, silver contact
<b>V05</b>	switch 4-pol, 1 NC / 3 NO, silver contact
<b>V11</b>	switch 4-pol, 4 NC, silver contact with gold coating
<b>V12</b>	switch 4-pol, 3 NC / 1 NO, silver contact with gold coating
<b>V13</b>	switch 4-pol, 2 NC / 2 NO, silver contact with gold coating
<b>V14</b>	switch 4-pol, 4 NO, silver contact with gold coating
<b>V15</b>	switch 4-pol, 1 NC / 3 NO, silver contact with gold coating

## Blind plug without module (1 slot)

### BLIND PLUG

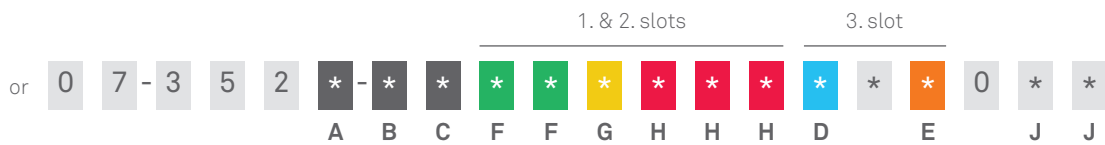
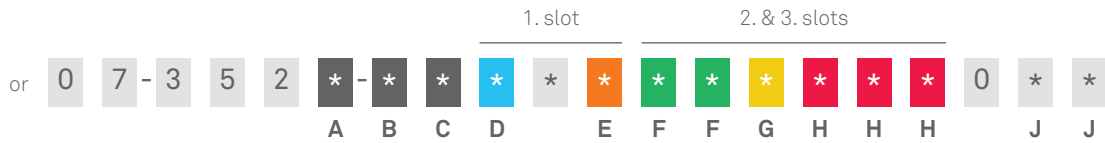
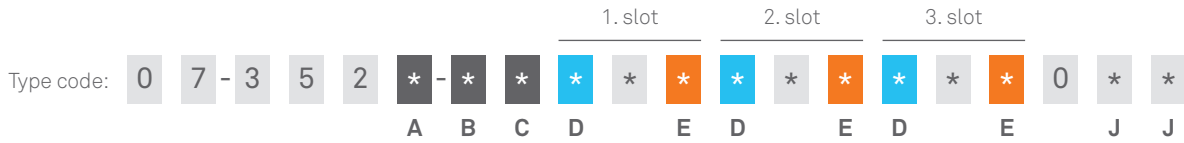


1 slot



<b>DD</b>	<b>00</b> – without actuator <b>B1</b> – blind plug
<b>E</b>	<b>0</b> – without module

# Selection key of the ComEx control and indicating station



<b>A</b>	<b>Enclosure size, operation mode</b> 1 – Single, Ex e 2 – Double, Ex e 3 – Triple, Ex e 4 – Single, Ex i 5 – Double, Ex i 6 – Triple, Ex i
<b>B</b>	<b>Entry device, enclosure side B</b> 0 – without 1 – 1 x M20 plastic or hole for connection 2 – 1 x M25 plastic 3 – 2 x M20 plastic 4 – 1 x M20 plastic and 1 x M20 blanking element 5 – 1 x M20 metal 6 – 1 x M25 metal 7 – 2 x M20 metal 9 – special version

<b>C</b>	<b>Entry device, enclosure side A</b> 0 – without 1 – 1 x M20 plastic 2 – 1 x M25 plastic 3 – 2 x M20 plastic 4 – 1 x M20 plastic and 1 x M20 blanking element 5 – 1 x M20 metal 6 – 1 x M25 metal 7 – 2 x M20 metal 8 – enclosure connection 9 – special version
<b>D &amp; E</b>	<b>Single-slot actuators &amp; modules combinations</b>
<b>FG &amp; H</b>	<b>Double-slot actuators &amp; modules combinations</b>
<b>J</b>	00 – without accessory 01 – Protective collar 10 – labelling by template 18 – locking device 99 – Customized version

# Your Control Station

0 7 - 3 5 2  -           0

A B C 1. slot 2. slot 3. slot J J

---

---

---

---

0 7 - 3 5 2  -           0

A B C 1. slot 2. slot 3. slot J J

---

---

---

---

0 7 - 3 5 2  -           0

A B C 1. slot 2. slot 3. slot J J

---

---

---

---

0 7 - 3 5 2  -           0

A B C 1. slot 2. slot 3. slot J J

---

---

---

---

# 1-gang ComEx enclosure



## Description ATEX/IECEx

Description ATEX/IECEx	Order Number
1 push button, with labels red, green, white, black; 1 NO + 1 NC	07-3521-10A1400000000
1 push button, with labels red, green, white, black; 2 NC	07-3521-10A1100000000
1 push button, with labels red, green, white, black; 2 NO	07-3521-10A1200000000
Emergency stop pull to release, without labelling; 1 NO + 1 NC	07-3521-10N8400000000
Emergency stop pull to release, without labelling; 2 NC	07-3521-10N8100000000
Emergency stop pull to release, without labelling + Shroud; 1 NO + 1 NC	07-3521-10N1400000001
Emergency stop pull to release, without labelling + Shroud; 2 NC	07-3521-10N1100000001
Selector switch; 1 NO + 1 NC, 0 - I, latching	07-3521-10S9400000000
Selector switch; 2 NO, I - 0 - II, latching	07-3521-10S0200000000
Selector switch; 1 NO + 1 NC, I - 0 - II, momentary	07-3521-10S1400000000
Pilot light; red	07-3521-10LRR00000000
Pilot light; green	07-3521-10LGG00000000
Pilot light; yellow	07-3521-10LYY000000000
Illuminated push button; 1 NO red	07-3521-10TRB00000000
Illuminated push button; 1 NC red	07-3521-10TRA000000000
Illuminated push button; 1 NO green	07-3521-10TGB000000000
Illuminated push button; 1 NC green	07-3521-10TGA000000000
Illuminated push button; 1 NO yellow	07-3521-10TYB000000000
Illuminated push button; 1 NC yellow	07-3521-10TYA000000000

## Description UL

Description UL	Order Number
Push button, with labels red, green, white, black; 1 NO + 1 NC (conduit adapter 3/4" side B)	07-352A-B0A14000000000
Pilot light; red (conduit adapter 3/4" side B)	07-352A-B0LRR000000000
Pilot light; green (conduit adapter 3/4" side B)	07-352A-B0LGG000000000
Emergency stop button; 2 NC (conduit adapter 3/4" side B)	07-352A-B0N81000000000
Selector switch; 2 NO, I - 0 - II, latching (conduit adapter 3/4" side B)	07-352A-B0S02000000010
Selector switch; 2 NO, I - 0 - II, momentary (conduit adapter 3/4" side B)	07-352A-B0S32000000000
Selector switch; 1 NO + 1 NC, 0 - I, latching (conduit adapter 3/4" side B)	07-352A-B0S94000000000

## 2-gang ComEx enclosure



### Description ATEX/IECEX

Description ATEX/IECEX	Order Number
2 push button, with labels red, green, white, black (1 NO + 1 NC)	07-3522-10A14A14000000
1 pilot light (red), 1 push button, with labels red, green, white, black; (1 NO + 1 NC)	07-3522-10LRRA14000000
1 pilot light (green), 1 push button, with labels red, green, white, black; (1 NO + 1 NC)	07-3522-10LGGA14000000
1 pilot light (yellow), 1 push button, with labels red, green, white, black; (1 NO + 1 NC)	07-3522-10LYYA14000000
1 push button, with labels red, green, white, black; (1 NO + 1 NC), 1 Emergency stop pull to release, without labelling (1 NO + 1 NC)	07-3521-10A14N84000000

### Description UL

Description UL	Order Number
2 push button, with labels red, green, white, black (1 NO + 1 NC); (conduit adapter 3/4" side B)	07-352B-B0A14A14000000
1 emergency stop button 4-pole (2 NO + 2 NC); (conduit adapter 3/4" side B)	07-352B-B0N80V03000000
1 push button green START (1 NO + 1 NC), 1 push button red STOP (1 NO + 1 NC); (conduit adapter 3/4" side A and B)	07-352B-BBA24A34000000
1 emergency stop button with labeling and shroud with bolt (2 NC); (conduit adapter 3/4" side A and B)	07-352A-BBN6100000001

## 3-gang ComEx enclosure



### Description ATEX/IECEx

### Order Number

1 pilot light (red), 2 push button, with labels red, green, white, black; (1 NO + 1 NC)	07-3523-10LRRRA14A14000
1 pilot light (green), 2 push button, with labels red, green, white, black; (1 NO + 1 NC)	07-3523-10LGGA14A14000
1 pilot light (yellow), 2 push button, with labels red, green, white, black; (1 NO + 1 NC)	07-3523-10LYYA14A14000
3 pilot light (red, yellow, green)	07-3523-10LRRLYLGG000
2 pilot light (red, green), 1 emergency stop (1 NO + 1 NC)	07-3523-10LRRLLGGN84000
3 push button, with labels red, green, white, black; (1 NO + 1 NC)	07-3523-10A14A14A14000
2 push button, with labels red, green, white, black; (1 NO + 1 NC), 1 Emergency stop pull to release, without labelling (1 NO + 1 NC)	07-3523-10A14A14N84000
1 pilot light (red), 1 selector switch 0-I latching (2 NO), 1 Emergency stop pull to release, without labelling (1 NO + 1 NC)	07-3523-10LRRS92N84000
1 pilot light (green), 1 selector switch 0-I latching (2 NO), 1 Emergency stop pull to release, without labelling (1 NO + 1 NC)	07-3523-10LGG92N84000

### Description UL

### Order Number

1 pilot light (red), 2 push button, with labels red, green, white, black (1 NO + 1 NC); (conduit adapter 3/4" side B)	07-352C-B0LRRRA14A14000
---	-------------------------