



*Cable entries  
with threaded sleeves*

**Description**

Industrial processes often take place within closed containers, under increased pressure or even vacuum conditions. It is therefore of utmost importance that no media leakages or pressure/vacuum drops occur when cables are led in. Our BARTEC pressure and vacuum sealed cable entries provide a simple and cost-effective solution to this problem. The cable entries essentially consist of a metal sleeve encapsulating the whole length of the electric conductors within epoxy-resin. This means that sealing is not only guaranteed for the whole length of the conductors but also through the stranded conductors themselves.

Depending on their field of application, BARTEC pressure and vacuum sealed cable entries can be used at temperatures of -70 °C to +150 °C.

With regard to the actual temperature and surrounding media, pressures of 10<sup>-6</sup> mbar to 200 bar can be withstood.

Our BARTEC cable entries can also be used under conditions that differ from the basic technical data listed below.

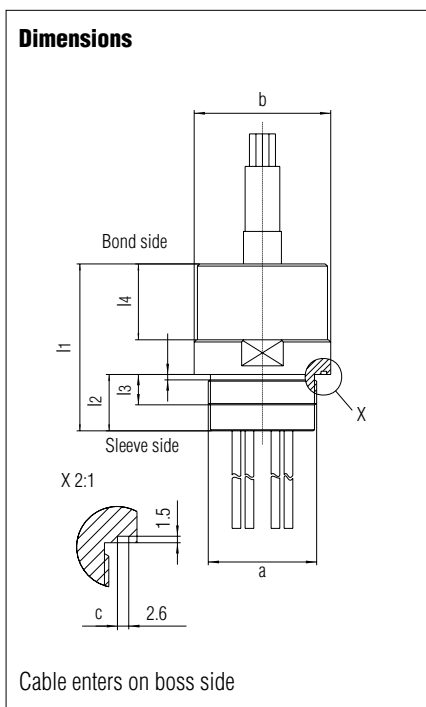
They have **not been** approved for use in potentially explosive areas.

**Explosion-proof and pressure-sealed versions (on request).**

**Selection chart**

Tread size	Dimensions in mm							Nominal conductor cross section	Number of cores (max.)
	b	c	l <sub>1</sub>	l <sub>2</sub>	l <sub>3</sub>	l <sub>4</sub>	AF		
M24 x 1.5	∅ 36	∅ 28	70	22	17	0	32	0.5	8
								0.75 / 1 / 1.5	6
								2.5	3
								4	1
								6	1
M33 x 1.5	∅ 43	∅ 35	83	34	17.5	33	41	0.5	18
								0.75 / 1 / 1.5	8
								2.5	6
								4	5
								6	1
M36 x 1.5	∅ 46	∅ 38	83	34	17.5	33	41	0.5	22
								0.75 / 1 / 1.5	10
								2.5	9
								4	6
								6	6
M42 x 1.5	∅ 55	∅ 45	83	34	17.5	33	50	0.5	30
								0.75 / 1 / 1.5	16
								2.5	12
								4	8
								6	8

Other versions on request. Please use the customer requirements form at the end of the chapter!



➔ Technical data

- **Basic version**
- Protection class**  
IP 68
- Nominal voltage**  
see table
- Nominal conductor cross section**  
0.35 mm<sup>2</sup> to 6 mm<sup>2</sup>
- Temperature range**  
-70 °C to +150 °C
- Nominal pressure**  
63 bar at RT (RT= +25 °C)
- Cable lengths**  
500 mm
- Core lengths**  
2.5 m (other lengths on request)

**Selection chart**

Nominal voltage	Code no.	Conductor cross section	Code no.	Number of cores	Code no.	Sleeve sizes	Code no.	Temperature	Code no.	Sleeve material	Code no.
450/750 V	1	Special cross section	A	1 core	01	M24 x 1.5	2	-25 °C to +100 °C	0	nickel-plated brass	00
250 V	2	0.35 mm <sup>2</sup>	D	2 cores	02	M33 x 1.5	3				
1 000 V	3	0.5 mm <sup>2</sup>	E	etc.							
3 000 V*	4	0.75 mm <sup>2</sup>	F	10 cores	10	M36 x 1.5	4	-70 °C to +150 °C	5	Steel 1.4305	02
60 V	5	1.00 mm <sup>2</sup>	G	20 cores	20	M42 x 1.5	6				
400 V	7	1.5 mm <sup>2</sup>	H	21 cores	21	M50 x 1.5	8			Steel 1.4571	03
500 V	8	2.5 mm <sup>2</sup>	J	etc. up to a max. indicated in column "Maximum number of cores" in the chart "Dimensions"		Special size	9				
Special voltage	9	4.0 mm <sup>2</sup>	K								
		6.0 mm <sup>2</sup>	L								

\* on request

➔ **Complete order no. 37-920** [ ] - [ ] [ ] [ ] / 7 [ ] [ ] [ ] [ ] \*

Technical data subject to change without notice.

\* in conjunction with the customer requirements form at the end of the chapter