

ComEx Actuating elements

for Zone 1 and 21
Datasheet



A large number of variants and versions of actuating elements are available for the ComEx control and indicator units. All actuating elements are made of high-quality thermoplastic and conform to the IP 66/IP 67 type of protection.

To complete the actuating elements, there are useful accessories such as e. g. label holders, marking tags, metal shroud or nut wrench. Actuating elements for increased resistance to oil are available too. The actuating elements are mounted quickly and easily onto the ComEx control and indicating devices. Use in Zone 1 and 21 is certified.

- Easy installation
- Certified for Zone 1 and 21
- High IP degree of protection

Explosion protection

Marking ATEX	Ex II 2G Ex eb IIC Gb Ex II 2D Ex tb IIIC Db
Certification	CML 13 ATEX 3010 U
Marking IECEx	Ex eb IIC Gb Ex tb IIIC Db
Certification	IECEx CML 14.0005 U

Other approvals and certificates, see bartec.com

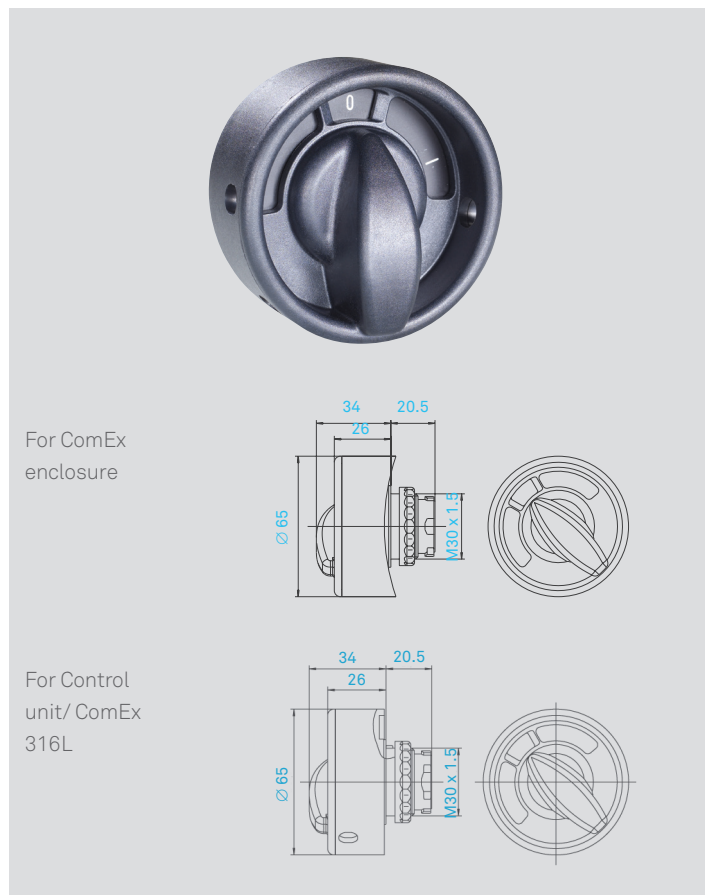
Temperature range

Service temperature	-40 °C to +70 °C -55 °C to +70 °C*
Storage and transport temperature	-55 °C to +70 °C

* related to explosion protection according to EN IEC 60079-0

Technical Data

Protection class	IP66/ IP67
Weight	see table
Impact resistance	7 Nm (Lamp actuators 4 Nm)
Material	Enclosure thermoplastic
Fastening	Installation in enclosures with wall thickness of 1 mm up to 6 mm (threading M30 x 1.5). Suitable for through-holes 30.3 ^{+0.3} mm



Position selector switch (black)

Description		Order no.
– with 2 or 3 switch positions with protective collar		
– lockable* only for switch module (2-pole)		
– weight 74 g		
0 - I latching	for control unit (flat)	05-0003-007001
	for ComEx enclosure	05-0003-007101
I - II latching	for control unit (flat)	05-0003-007002
	for ComEx enclosure	05-0003-007102
I - 0 - II bothsides latching	for control unit (flat)	05-0003-007203
	for ComEx enclosure	05-0003-007303
HAND - 0 - AUTO left latching	for control unit (flat)	05-0003-007224
right momentary	for ComEx enclosure	05-0003-007324
MAN - 0 - AUTO left latching	for control unit (flat)	05-0003-007225
right momentary	for ComEx enclosure	05-0003-007325

* 3 boreholes in the protective collar to fit padlocks the switch position 0 (I) or to customer specifications



Double pushbutton actuator

Description		Order no.
– 5 labels red, green, yellow, white, black, supplied loose		
– weight 52 g		
for ComEx enclosures		05-0003-007500
for control units		05-0003-007400



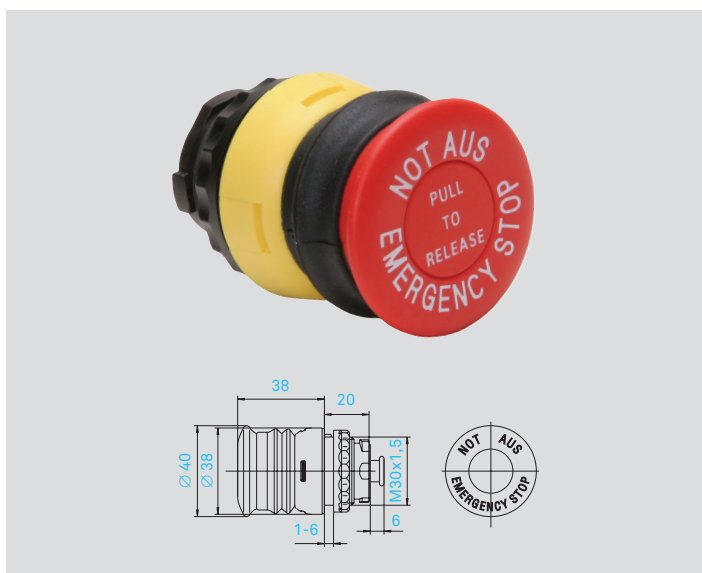
Pushbutton

Description	Order no.
<ul style="list-style-type: none"> - 5 labels red, green, yellow, white, black, supplied loose - weight 24 g 	
for ComEx enclosures	05-0003-000700



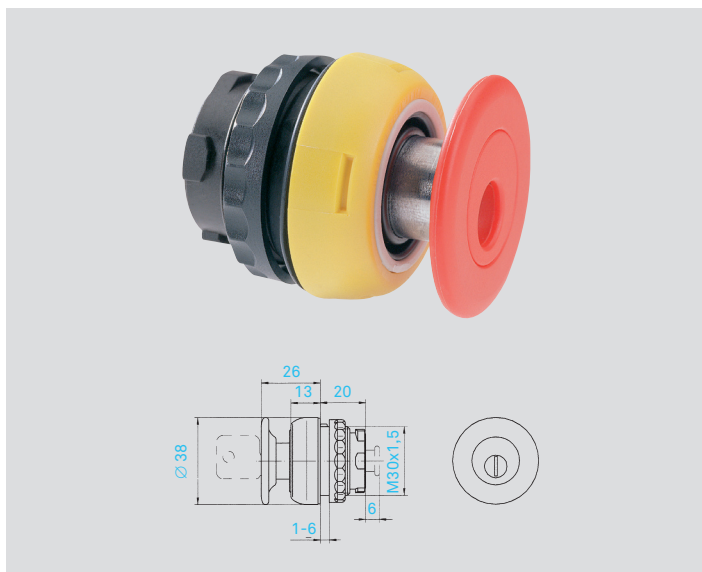
Mushroom pushbutton

Description	Order no.
<ul style="list-style-type: none"> - weight 74 g 	
black, unlabelled	05-0003-001800
red, unlabelled	05-0003-001802



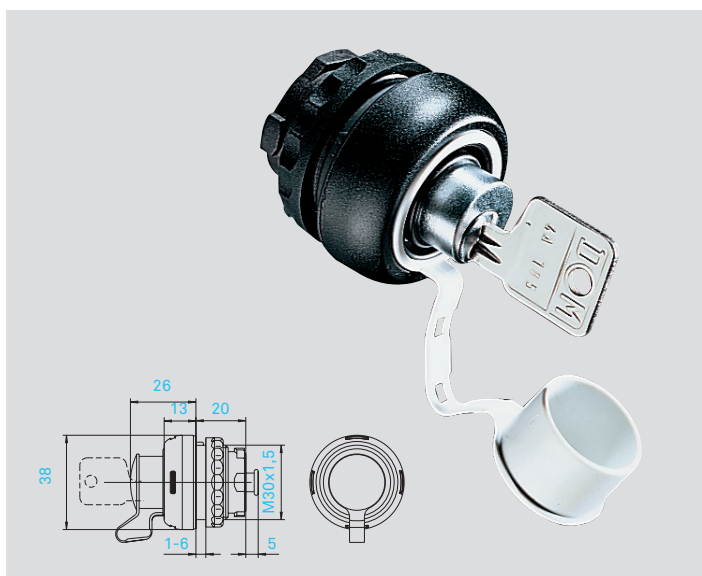
Emergency stop slam button

Description	Order no.
<ul style="list-style-type: none"> - weight 46 g - DIN EN 60204-1: 2007 - DIN EN 60947-5-1: 2005 (VDE 0660 Teil 200) 	
Pushbutton with imprint "NOT-AUS EMERGENCY STOP" "Pull to Release"	05-0003-000800
Pushbutton with imprint "ARRET"	05-0003-000802
Pushbutton yellow, unlabelled	05-0003-000801
Pushbutton black, unlabelled	05-0003-000803
Pushbutton red, unlabelled	05-0003-000804



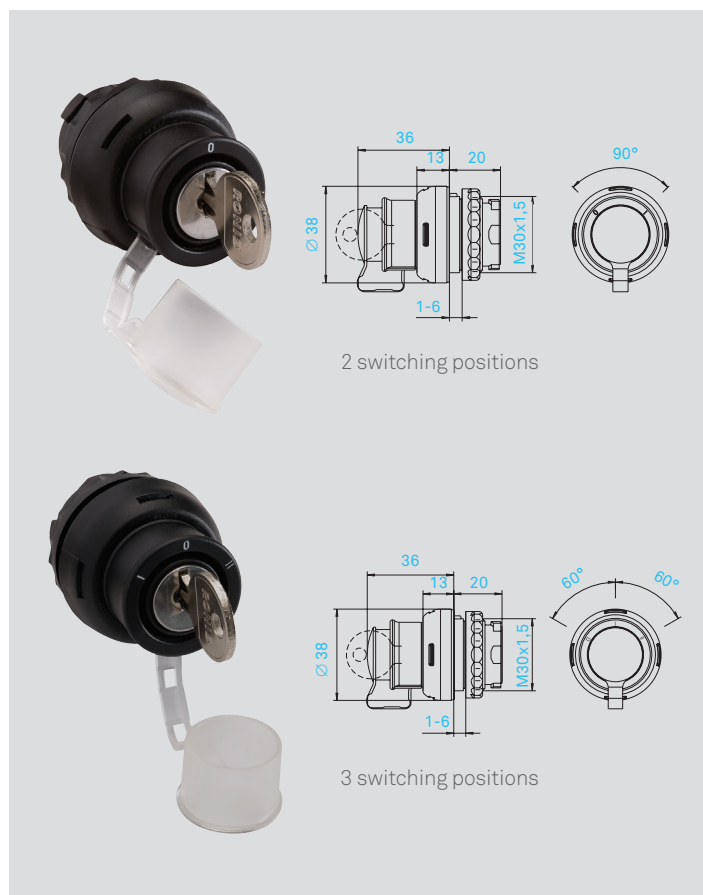
Locking mushroom pushbutton

Description	Order no.
<ul style="list-style-type: none"> - push in without key, unlock with key - DOM lock 4 A 185 - weight 70 g 	05-0003-001203



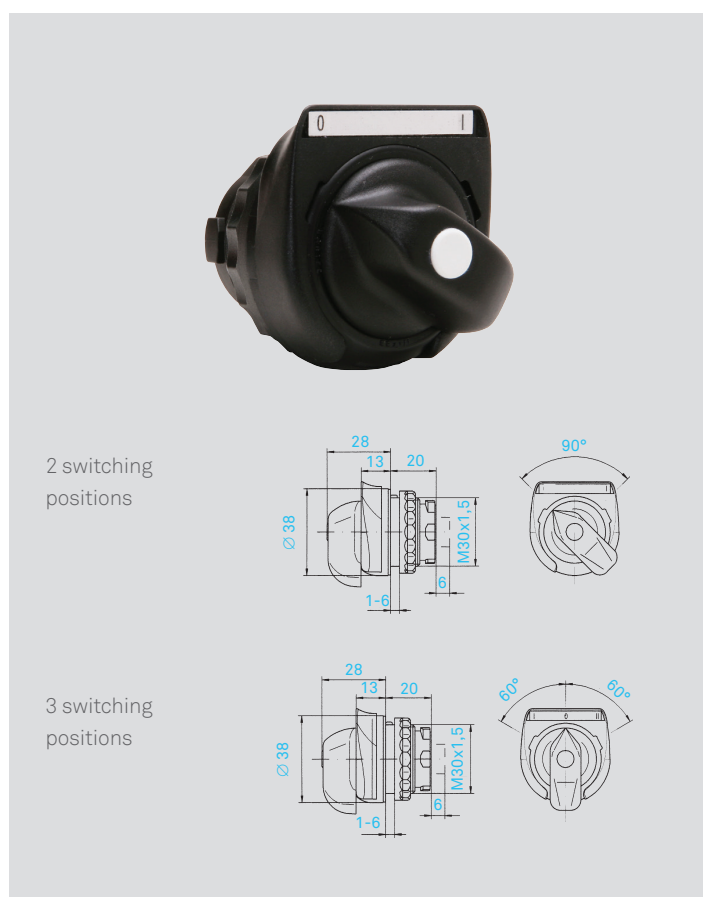
Lock

Description	Order no.
<ul style="list-style-type: none"> - DOM lock 4 A 185 - weight 70 g 	
Lockable in both positions, key retractable in both positions	05-0003-001200
Lockable in depressed position, key retractable in depressed position	05-0003-001201
Tip lock lockable in initial positions, key retractable in initial positions	05-0003-001202



Key-operated switch

Description		Order no.
– Key-operated switch** RONIS lock 455		
– with 2 or 3 switching positions,		
– turned 90° for ComEx enclosures		
– weight 49 g		
0 - I latching key retractable	for control units for ComEx enclosures	05-0003-007700 05-0003-007800
0 - I momentary contact Position I, key not retractable	for control units for ComEx enclosures	05-0003-007701 05-0003-007801
0 - I latching Position I, key not retractable	for control units for ComEx enclosures	05-0003-007702 05-0003-007802
I - 0 - II (I + II latching) key retractable	for control units for ComEx enclosures	05-0003-007900 05-0003-008000
I - 0 - II (I + II momentary contact) Position I + II key not retractable	for control units for ComEx enclosures	05-0003-007901 05-0003-008001



Position selector switch (black)

Description		Order no.
– with 2 or 3 switching positions		
– weight 33 g		
0 - I (latching)	for control units turned 90° for ComEx enclosures	05-0003-000900 05-0003-000901
0 - I (momentary)	for control units turned 90° for ComEx enclosures	05-0003-000902 05-0003-000903
I - 0 - II (I + II latching)	for control units turned 90° for ComEx enclosures	05-0003-001000 05-0003-001100
I - 0 - II (I + II momentary)	for control units turned 90° for ComEx enclosures	05-0003-001001 05-0003-001101
I - 0 - II (I latching, II momentary)	for control units turned 90° for ComEx enclosures	05-0003-001002 05-0003-001102
I - 0 - II (I momentary, II latching)	for control units turned 90° for ComEx enclosures	05-0003-001003 05-0003-001103



Lamp module actuator

Description	Order no.
- weight 19 g	
red	05-0003-001300
green	05-0003-001400
yellow	05-0003-001500
white	05-0003-001600
blue	05-0003-001700



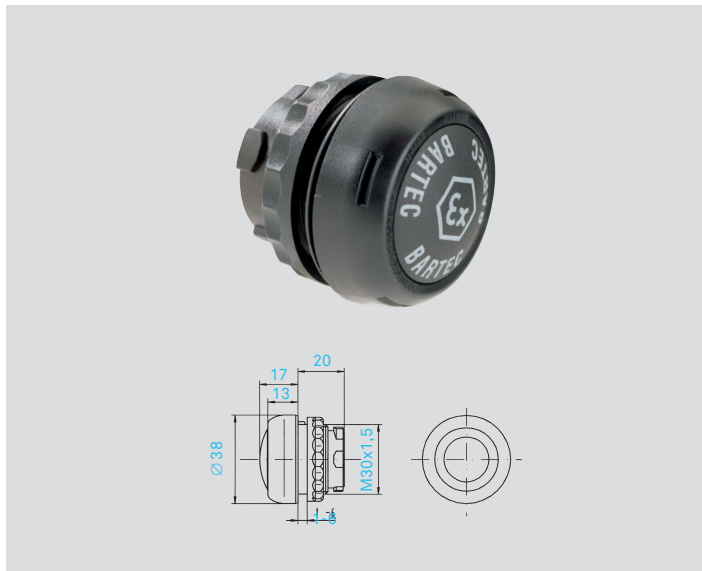
Illuminated button actuator

Description	Order no.
- weight 19 g	
red	05-0003-006500
green	05-0003-006600
yellow	05-0003-006700
white	05-0003-006800
blue	05-0003-006900



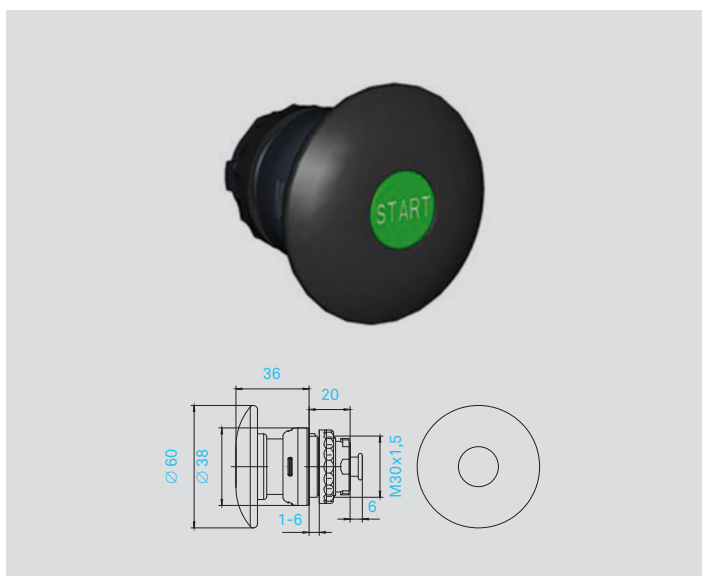
Potentiometer actuator (black)

Description	Order no.
- durable and abrasion-resistant scale gradation from 0 to 10	05-0003-007600
- weight 28 g	



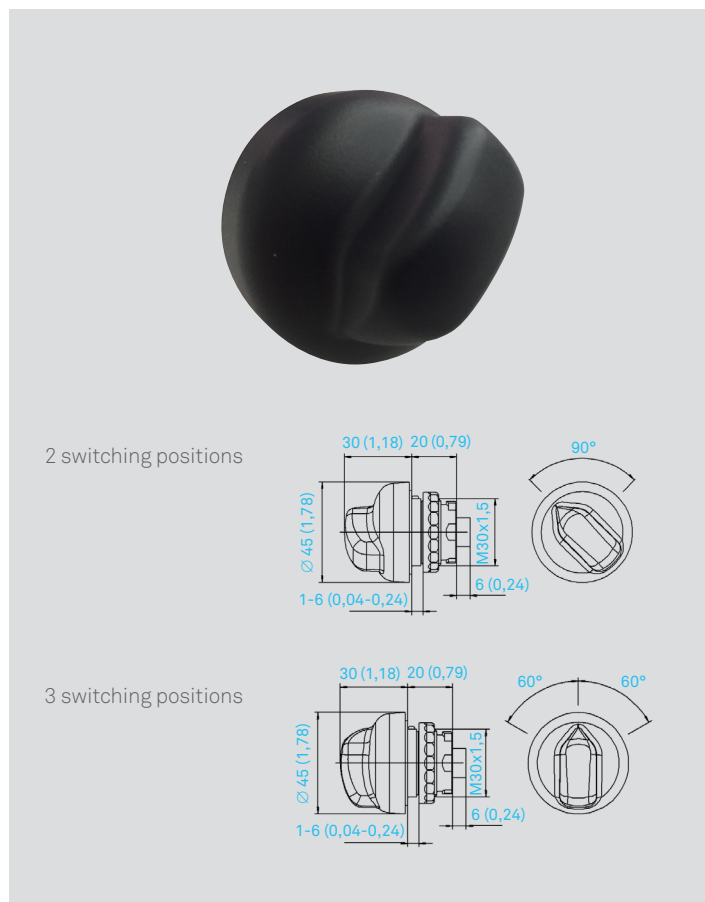
Blanking plug

Description	Order no.
- to cover unused holes in the cover	05-0003-001900
- weight 20 g	



Mushroom pushbutton (black)

Description	Order no.
- with pushbutton label "START"	
- weight 24 g	
black	05-0003-008200
with pushbutton label "START"	05-0003-008201



Position selector switch BS

Description		Order no.
– black		
– with 2 or 3 switching positions,		
– turned 90° for ComEx enclosures		
– weight 33 g (0.073 lb)		
0 - I	for control units	05-0003-000900BS
	for ComEx enclosures	05-0003-000901BS
I - 0 - II (I + II latching)	for control units	05-0003-001000BS
	for ComEx enclosures	05-0003-001100BS
I - 0 - II (I + II momentary contact)	for control units	05-0003-001001BS
	for ComEx enclosures	05-0003-001101BS
I - 0 - II (I latching, II momentary contact)	for control units	05-0003-001002BS
	for ComEx enclosures	05-0003-001102BS
I - 0 - II (I momentary contact, II latching)	for control units	05-0003-001003BS
	for ComEx enclosures	05-0003-001103BS