

## Actuating Elements

Type 05-0003-00.../.....



# Actuating Elements

Type 05-0003-00../....



## Note on instructions

When working in hazardous areas, the safety of personnel and equipment depends on compliance with the relevant safety regulations. The people in charge of installation and maintenance bear a special responsibility. It is essential that they have an exact knowledge of the applicable rules and regulations.

The instructions provide a summary of the most important safety measures and must be read by everyone working with the product so that they will be familiar with the correct handling of the product.

The instructions have to be kept for future reference and must be available throughout the expected life of the product.

## Description

A large number of variants and versions of actuating elements are available for the ComEx control and indicator units.

To complete the actuating elements, there are useful accessories such as e.g. label holders, marking tags, metal shroud or nut wrench.

## Explosion protection

Notified Body No.	0044
Approved Body No.	2503
ATEX/UKEX	Ⓜ II 2G Ex eb IIC Gb
Ex protection type	Ⓜ II 2D Ex tb IIIC Db
Certification	CML 13 ATEX 3010 U CML 21 UKEX 3713 U
IECEX	Ex eb IIC Gb
Ex type of protection	Ex tb IIIC Db
Certification IECEX	IECEX CML 14.0005U
Service temperature	-40 °C to +70 °C -55 °C to +70 °C*
Storage and transport temperature	-55 °C to +70 °C

\* related to explosion protection according to EN IEC 60079-0

## Technical data

Protection class	IP 65, IP 66, IP 67
Protection class	See table
Impact resistance	7 Nm (Lamp actuators 4 Nm)
Material	Enclosure: Thermoplastic/injection moulding
Mass	See selection chart
Fastening	<ul style="list-style-type: none"> <li>- Installation in enclosures with wall thickness of 1 mm to 6 mm (0.04 in to 0.24 in), threading M30 x 1.5</li> <li>- Suitable for through-holes 30.3 mm (1.19 in)</li> <li>- Torque fixing nut 2.8 to 3.4 Nm.</li> </ul>
Dimensions	See page 4 et seq.

## Safety Instructions

The actuating elements may be used only within the specified ambient and operating temperature range.

Utilisation in areas other than those specified and the modification of the product by anyone other than the manufacturer are not permitted and will exempt BARTEC from liability for defects and any further liability.

Incorrect installation can cause malfunctioning and the loss of explosion protection.

The actuating element may be connected and assembled only by qualified personnel who are authorized and trained to assemble electrical components in hazardous (potentially explosive) areas.


The generally applicable statutory rules and other binding directives relating to workplace safety, accident prevention and environmental protection must be adhered to.


The actuating element may be operated only if it is in a clean and undamaged condition.


It is not permissible to modify the actuating elements in any way.


## Marking


Particularly important points in these instructions are marked with a symbol:

	<p><b>DANGER</b></p> <p>indicates a hazardous situation which, if not avoided, will result in death or serious injury.</p>
--	--

	<p><b>WARNING</b></p> <p>indicates a hazardous situation which, if not avoided, could result in death or serious injury.</p>
--	--

	<p><b>CAUTION</b></p> <p>indicates a hazardous situation which, if not avoided, could result in minor or moderate injury.</p>
--	---


	<p><b>NOTICE</b></p> <p>is used to address practices not related to personal injury.</p>
--	--

	<p><b>NOTE</b></p> <p>Important instructions and information on effective, economical and environmentally compatible handling.</p>
--	--


## Standards conformed to

Please see Attestations of Conformity.


## Transport, Storage


	<p><b>NOTICE</b></p> <p><b>Actuating element damage through incorrect transport or incorrect storage.</b></p> <ul style="list-style-type: none"> <li>Transport and storage is permissible in original packaging only.</li> </ul>
--	--

## Assembly and Commissioning

	<p><b>WARNING</b></p> <p><b>Risk of injury due to incorrect proceedings.</b></p> <ul style="list-style-type: none"> <li>Only authorized and qualified personnel may do any of the assembly, disassembly, installation and commissioning work.</li> <li>Use suitable tools.</li> </ul>
---	---

## Assembly/Disassembly

	<p><b>NOTICE</b></p> <p><b>Damage to actuating elements due to incorrect installation dimensions.</b></p> <ul style="list-style-type: none"> <li>The minimum spacing between the mounting holes must be observed.</li> </ul>
---	--


	<p><b>NOTE</b></p> <p>Installation dimensions and assembly drawings, see page 3.</p>
---	--

## Commissioning

Before commissioning, check that:


- The device has been installed correctly.
- The device is not damaged.


## Maintenance and Fault Clearance

	<p><b>WARNING</b></p> <p><b>Risk of injury due to incorrect proceedings.</b></p> <ul style="list-style-type: none"> <li>Only authorized qualified personnel may do any of the work relating to maintenance and fault clearance.</li> <li>IEC/EN 60079-17 must be observed.</li> </ul>
---	---

The operator of the actuating element must keep it in good condition, operate it properly, monitor it and clean it regularly.

## Maintenance

	<p><b>WARNING</b></p> <p><b>Risk of serious accidents due to damaged parts.</b></p> <ul style="list-style-type: none"> <li>Check actuating elements, actuators, sealings, and cables regularly for cracks and damage. Make sure that they are properly established.</li> </ul>
---	--

	<p><b>NOTICE</b></p> <p><b>Damage to actuating elements due to incorrect cleaning.</b></p> <ul style="list-style-type: none"> <li>It is not allowed to clean actuating elements with compressed air.</li> </ul>
---	---

## Fault Clearance

### WARNING

#### Risk of serious injury due to use of non-original spare parts.



- Use original parts only as replacements. The actuating element is defective if it no longer actuates the attached command equipment or if the illuminated disc becomes damaged or dull. Defective actuating elements cannot be repaired.

Defective actuating elements can be taken off and replaced by functioning actuators of the same type considering this operational instruction.

## Accessories, Spare Parts

See BARTEC catalogue.

## Disposal

The components in the actuating element contain metal and plastic parts.

The statutory requirements for disposing of electronic scrap must be observed therefore (e.g. disposal by an approved disposal company).

## Service-Address

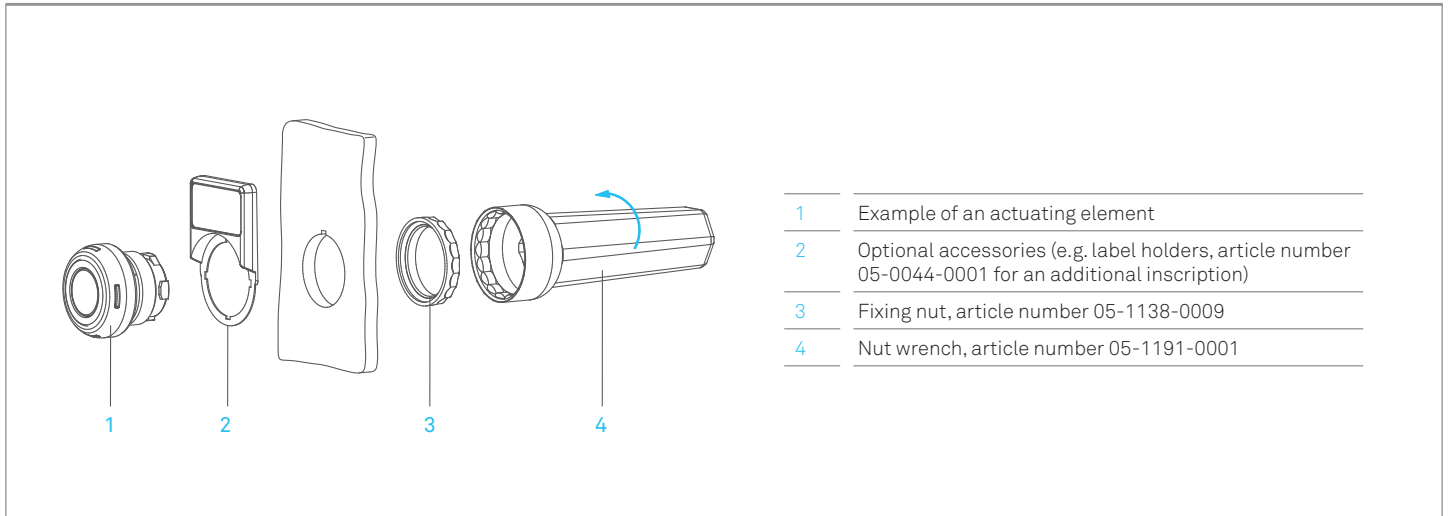
BARTEC GmbH  
Max-Eyth-Str. 16  
97980 Bad Mergentheim  
Germany

Phone: +49 7931 597-0

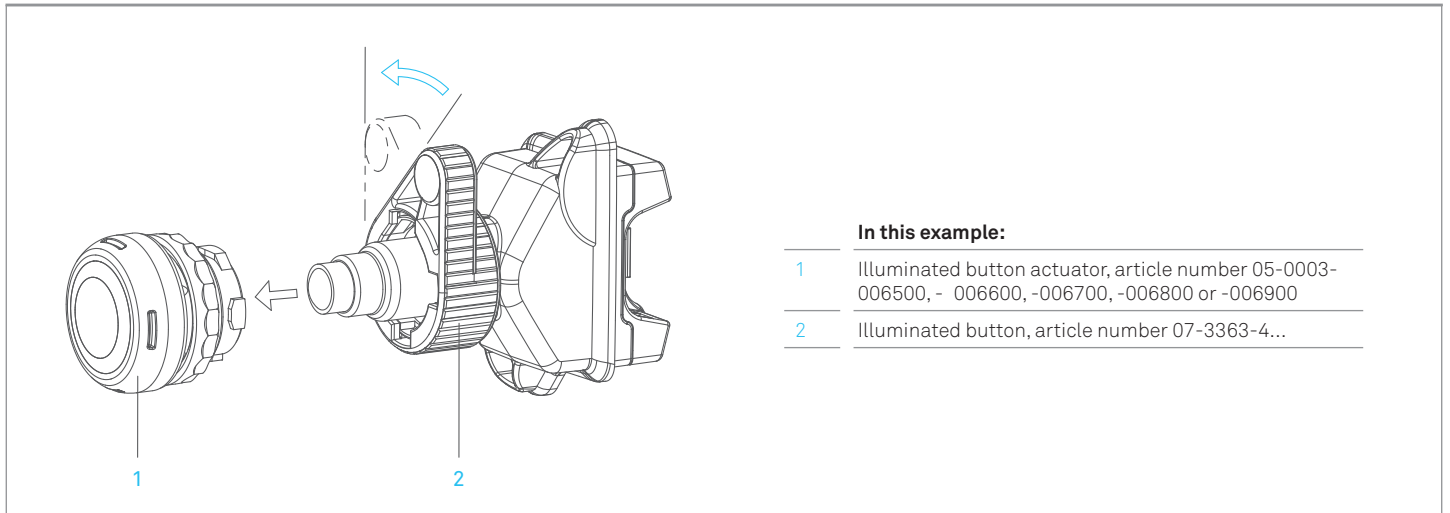
Fax: +49 7931 597-119



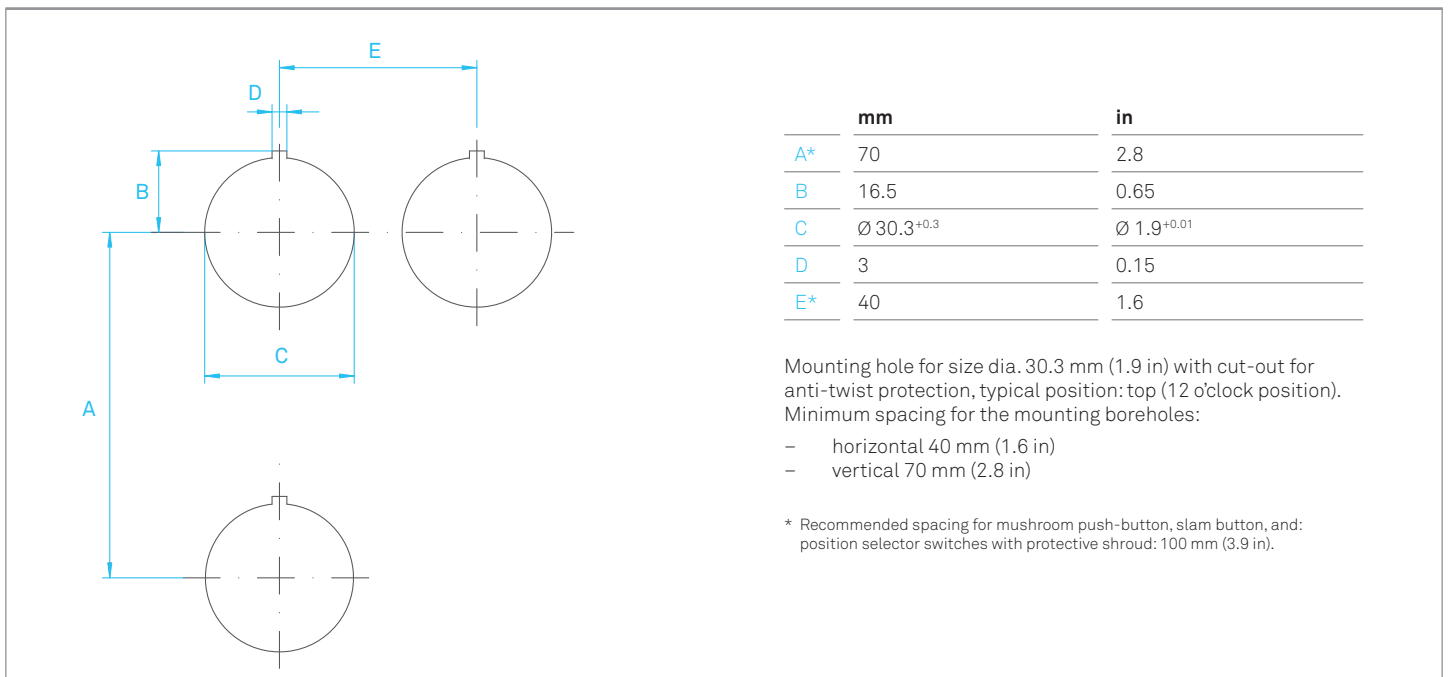
## Assembling Actuating Elements



## Assembly of Functional Modules with Bayonet Fixing



## Installation Dimensions



Konformitätsbescheinigung  
Attestation of Conformity  
Attestation de conformité

**BARTEC**

N<sup>o</sup> 01-0003-7C0001-E

Wir	We	Nous
-----	----	------

**BARTEC GmbH**  
Max-Eyth-Straße 16  
97980 Bad Mergentheim  
Germany

erklären in alleiniger Verantwortung, dass das Produkt <b>Betätigungsvorsätze</b>	declare under our sole responsibility that the product <b>Control and signalling device adapters</b>	attestons sous notre seule responsabilité que le produit <b>Têtes de commande</b>
--	---	--

**Typ 05-0003-00\*\*/\*\*\*\***

auf das sich diese Erklärung bezieht den Anforderungen der folgenden <b>Richtlinien (RL)</b> entspricht <b>ATEX-Richtlinie 2014/34/EU</b> <b>RoHS-Richtlinie 2011/65/EU</b> und mit folgenden Normen oder normativen Dokumenten übereinstimmt	to which this declaration relates is in accordance with the provision of the following <b>directives (D)</b> <b>ATEX-Directive 2014/34/EU</b> <b>RoHS-Directive 2011/65/EU</b> and is in conformity with the following standards or other normative documents	se référant à cette attestation correspond aux dispositions des <b>directives (D)</b> suivantes <b>Directive ATEX 2014/34/UE</b> <b>Directive RoHS 2011/65/UE</b> et est conforme aux normes ou documents normatifs ci-dessous
--	--	---

**EN IEC 60079-0:2018**  
**EN IEC 60079-7:2015/A1:2018**

**EN 60079-31:2014**  
**EN 60529/A2/AC:2019**

<b>Verfahren der EU-Baumusterprüfung / Benannte Stelle</b>	<b>Procedure of EU-Type Examination / Notified Body</b>	<b>Procédure d'examen UE de type / Organisme Notifié</b>
--	---	--

**CML 13ATEX3010U<sup>(\*)</sup> Issue 5**

**2776, CML B.V., Hoogoorddreef 15, 1101BA Amsterdam, NL**


(*) Die Ex-Komponente ist Teil eines elektrischen Betriebsmittels oder eines Moduls, gekennzeichnet mit dem Symbol „U“, das nicht für sich allein verwendet werden darf und über dessen Einbau in elektrische Betriebsmittel oder Systeme zur Verwendung in explosionsgefährdeten Bereichen gesondert entschieden werden muss.  Merkmale dieser Komponente sowie die Bedingungen für ihren Einbau in Geräte und Schutzsysteme siehe Betriebsanleitung der Komponente.	(*) The Ex-component is a part of an electrical apparatus or a module, marked with the symbol "U", which is not intended to be used alone and requires additional consideration when incorporated into electrical apparatus or systems for use in explosive atmospheres.  Characteristics and how the component must be incorporated into equipment or protective systems see operation manual of the component.	(*) Le composant Ex est partie de matériel électrique ou de module, marquée du symbol « U », ne devant pas être utilisée seule et nécessitant une certification complémentaire lorsqu'elle est incorporée à un matériel électrique ou à un système pour atmosphères explosives.  Les caractéristiques du composant ainsi que les conditions d'incorporation dans des appareils ou des systèmes de protection regarde voir l'instruction d'emploi du composant.
---	--	--

**0044**

Bad Mergentheim, 11.04.2022

  
i.A. Simon Dyhringer

Product Manager Ex e

  
i.A. Steffen Mika

Certification Manager R&D

## **BARTEC**

BARTEC GmbH  
Max-Eyth-Str. 16  
97980 Bad Mergentheim  
Germany

Phone: +49 7931 597-0  
[info@bartec.com](mailto:info@bartec.com)

**[bartec.com](http://bartec.com)**