

EFG

Multiple control stations



Installation

hazardous areas - Zone 1 / 2 (Gases) - Zone 21 / 22 (Dusts)

Classification

Group II - Category 2G 2D

Mechanical characteristics

Body	marine grade copper free aluminium light alloy
Cover	marine grade copper free aluminium light alloy
Screws	stainless steel
Internal plate	galvanized steel

On Request Accessories

- External epoxy painting with colour on request
- Cable entries with different threads from standards

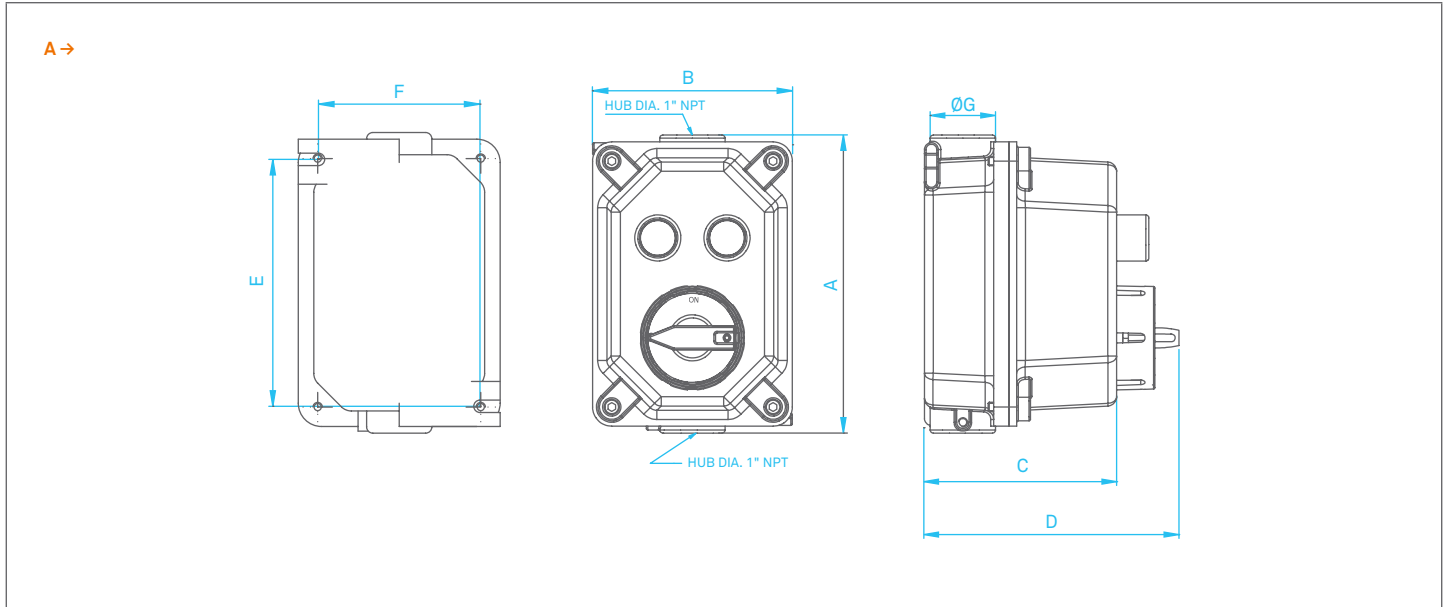
Reference standards

Directive 2014/34/EU	
Execution	Ⓜ II 2 G Ex d IIB T6/T5 Gb Ⓜ II 2 D Ex tb IIIC T85°C/ T100°C Db
Rules of compliance	EN/IEC 60079-0; EN/IEC 60079-1; EN/IEC 60079-31
EU Type-Examination Certificate	INERIS 03 ATEX 0047X
Protection degree	IP66
Ambient temperature	-60 °C ÷ +60 °C
Other available certificates	IECEx: IECEx INE 11.0034X INMETRO: CEPEL 13.2253X RUSSIAN MARINE CERTIFICATE (RMRS): 19.02523.280

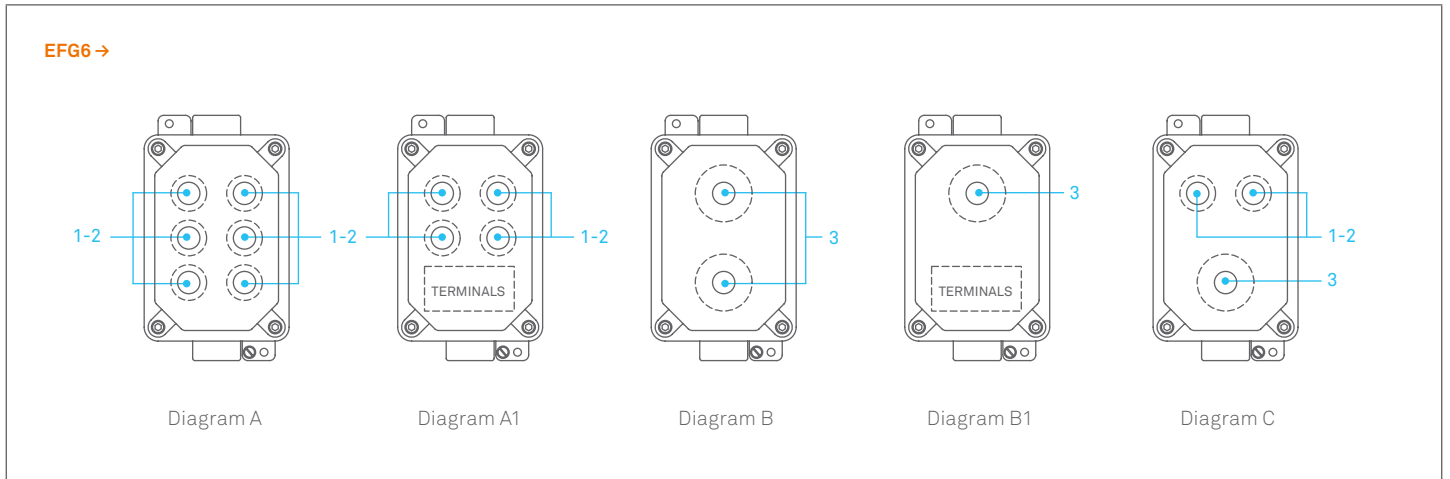
Technical features

Code	A [mm]	B [mm]	C [mm]	D [mm]	E [mm]	F [mm]	ØG [mm]	Plate X - Y [mm]	Weight [kg]	Detail
EFG6	195	130	125	175	160	104	1" NPT	150 - 95	3,5	A

Reference details



Max. operators allowed diagrams



1	EFP push button
2	EFL pilot light
3	EFI handle switch

More operators details are available on "HANDLES-D" bulletin
Remark - (A) twin holes 1-2 type, can be replaced by one hole 3 type

REMARK:
 Due to the development of the national and international specifications and of the technology, the above technical characteristics showed on this bulletin can be considered as binding on our confirmation only.