

WFLP LED

Weatherproof floodlights for LED lamps



Mechanical characteristics

Body	Marine grade copper free aluminium
Diffuser	Tempered front glass 4mm
Support	Adjustable type 3mm thick shaped steel
Painting	External thermosetting polyester powder RAL-7039 colour
Screws	External stainless steel
Gaskets	Silicon rubber
Cable entry	Dia. 20.5mm



Installation: Safe Area

Insulation Class: I

Reference standards

CEI/EN	
Execution	Industrial weatherproof
Rules of compliance	EN 60598-1 + A1; EN 60598-2-1
EU Type-Examination Certificate	-
Protection degree	IP66 (in accordance to IEC 60529 with silicone grease applied on gasket)
Ambient temperature	-

Electrical characteristics

Power supply	220÷240Vac electronic driver 50/60 Hz – C/W surge protection 6/8KV and NTC thermal sensor
Lamp type	Samsung LH 181B – CRI>80 CCT 4000K Lifetime: 80.000 hours L80 B10 @ta 25, 50.000 hours L80 B20 @tamax
Internal wiring	High-temperature resistant silicon rubber insulation cables
Terminals	Suitable up to 4 sq/mm cables
Optic	SM = without lens, maximum efficiency AS = with asymmetrical lens vertex at 50deg ST = road lens with asymmetry vertex 30deg

On Request Accessories

- External painting colour on request
- DALI dimmable driver and output reduction with Vmidnight system
- CCT 2200/3000/5700 K
- Customized LED current drivers
- Additional optics
- SPD 10KV
- Pole mounting



Technical data

Floodlights for LED lamp – power supply 220÷240V 50/60Hz

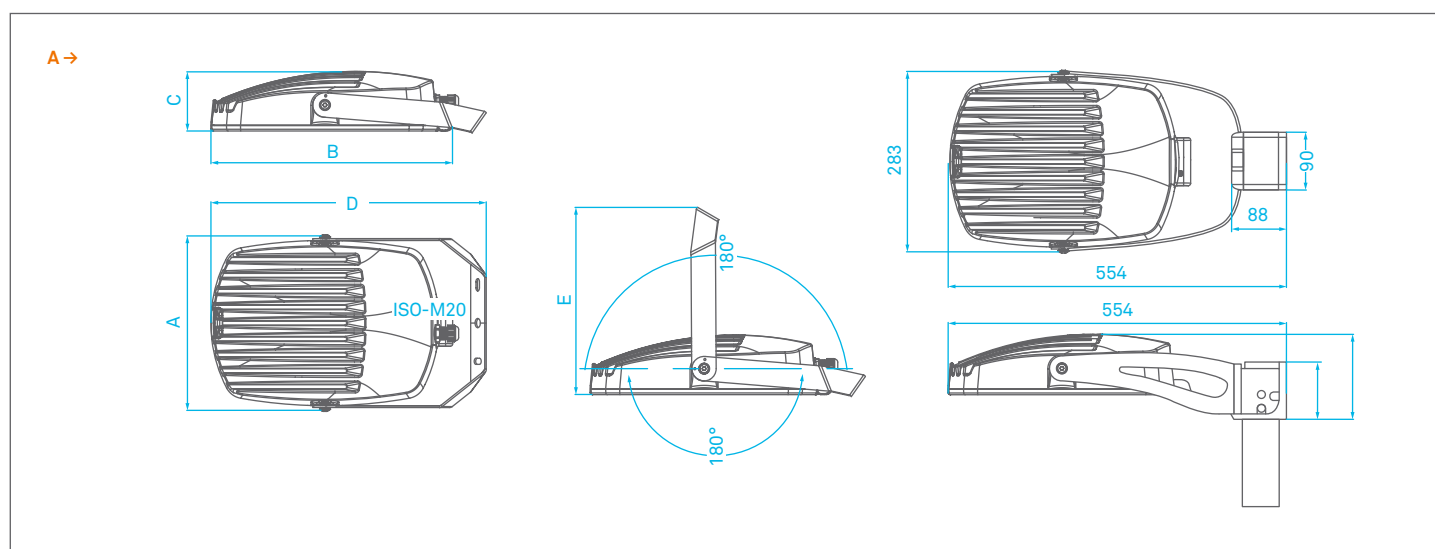
Code	Power lamp	Wiring	Temperature class (Gas)	Temperature class (Dusts)	Output typical (lm)	Output net (lm)	Cable entry size	Detail
WFLP-1040B	35 W	16 LED	-	-	5200	4760	1 X ISO-M20	A
WFLP-1041B						4560		
WFLP-1042B						4475		
WFLP-2080B	70 W	32 LED	-	-	10400	9515		
WFLP-2081B						9120		
WFLP-2082B						8950		
WFLP-3120B	105 W	48 LED	-	-	15600	14275		
WFLP-3121B						13670		
WFLP-3122B						13420		
WFLP-4160B	140 W	64 LED	-	-	20800	19030		
WFLP-4161B						18235		
WFLP-4162B						17900		

Optic beam: 0B=SM – without lens / 1B=AS – asymmetrical lens / 2B=ST – street-road lens

Technical features

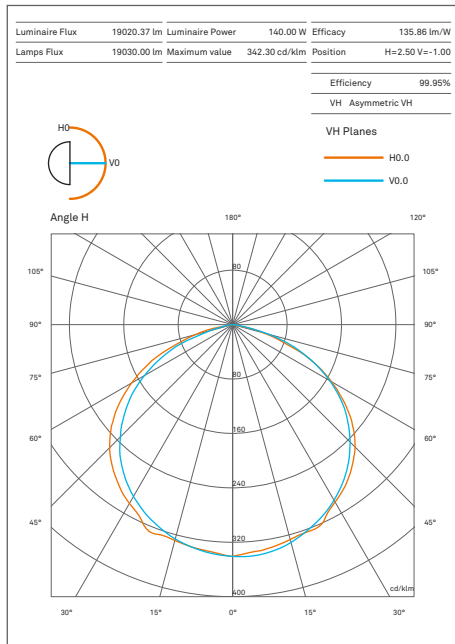
Code	A (mm)	B (mm)	C (mm)	D (mm)	E (mm)	Weight (kg)	Cable entry	Detail
WFLP-1040B	283	395	97	450	305	6,42	1 X ISO-M20	A
WFLP-1041B	283	395	97	450	305	6,45	1 X ISO-M20	A
WFLP-1042B	283	395	97	450	305	6,44	1 X ISO-M20	A
WFLP-2080B	283	395	97	450	305	6,45	1 X ISO-M20	A
WFLP-2081B	283	395	97	450	305	6,51	1 X ISO-M20	A
WFLP-2082B	283	395	97	450	305	6,50	1 X ISO-M20	A
WFLP-3120B	283	395	97	450	305	6,34	1 X ISO-M20	A
WFLP-3121B	283	395	97	450	305	6,43	1 X ISO-M20	A
WFLP-3122B	283	395	97	450	305	6,42	1 X ISO-M20	A
WFLP-4160B	283	395	97	450	305	6,40	1 X ISO-M20	A
WFLP-4161B	283	395	97	450	305	6,52	1 X ISO-M20	A
WFLP-4162B	283	395	97	450	305	6,51	1 X ISO-M20	A

Reference details

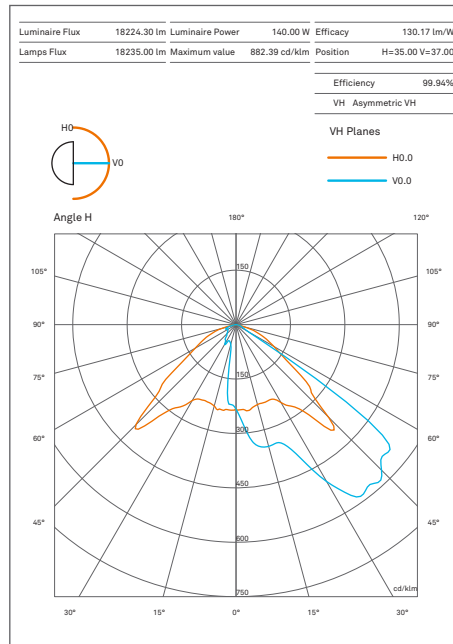


Polar diagrams – photometric data

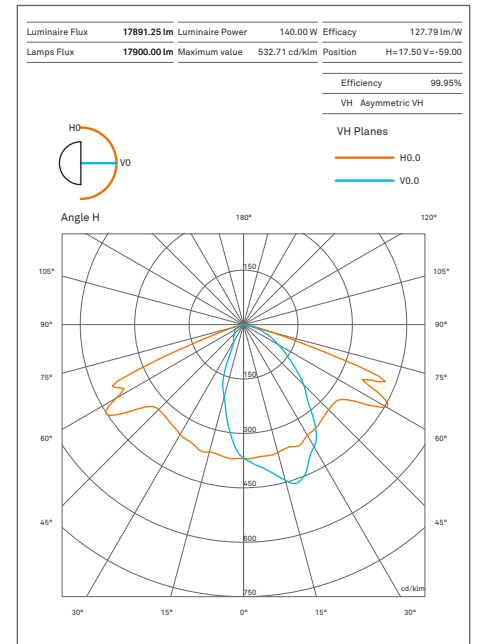
WFLP-4160B



WFLP-4161B



WFLP-4162B



On request accessories

Code	Description	Material
CLC-923503.002	T Pole adapter Ø 60 mm	Painted steel

REMARK:

Due to the development of the national and international specifications and of the technology, the above technical characteristics showed on this bulletin can be considered as binding on our confirmation only.